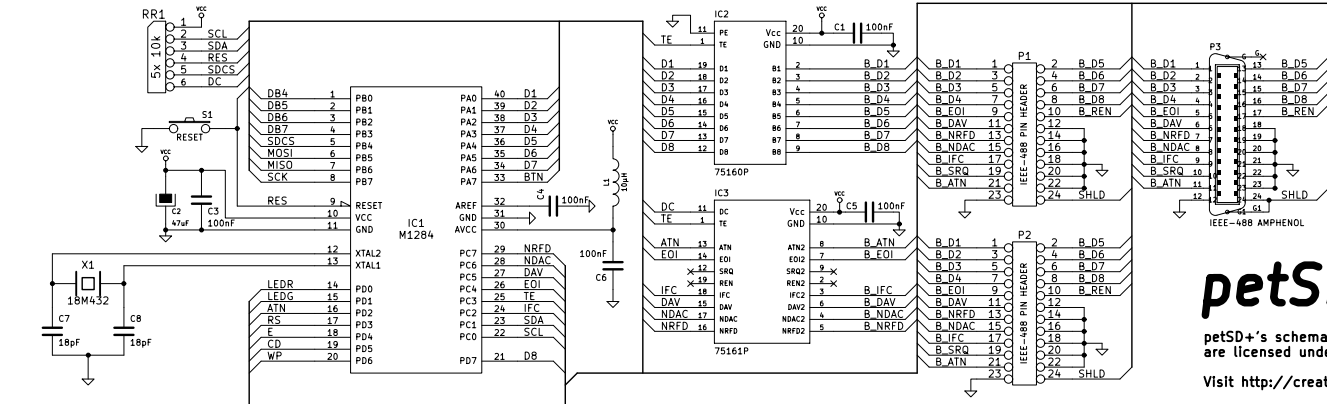


Atmel AVR ATmega 1284P

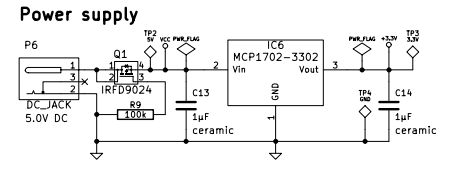
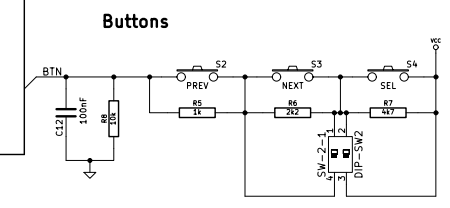
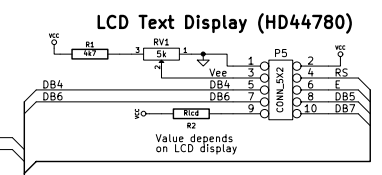
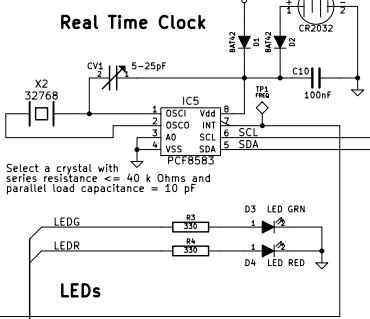
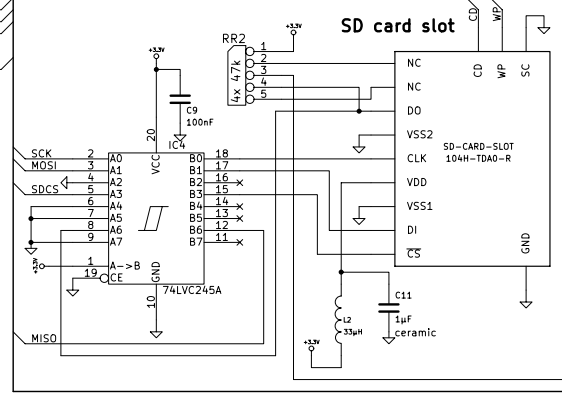
IEEE-488



petSD+

petSD+'s schematic and PCB layout by Nils Eilers are licensed under CC-BY-SA 4.0

Visit <http://creativecommons.org/licenses/by-sa/4.0/> for details



Mounting holes

- MOUNTHOLE M1
- MOUNTHOLE M2
- MOUNTHOLE M3
- MOUNTHOLE M4

Switch	Device number
1	2
OFF	OFF 8
ON	OFF 9
OFF	ON 10
ON	ON 11