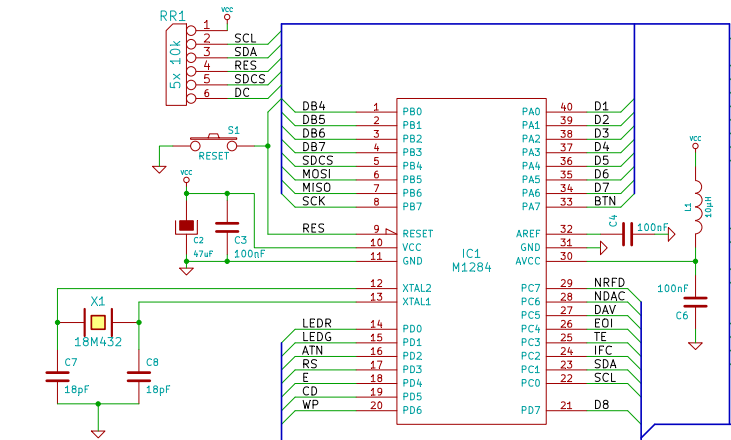
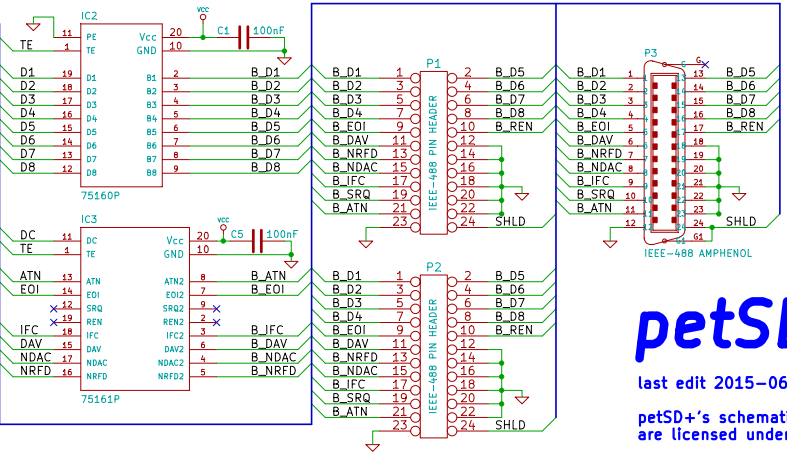


Atmel AVR ATmega 1284P



IEEE-488



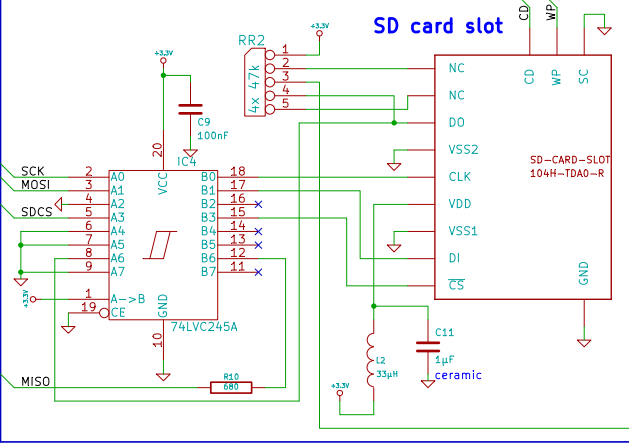
petSD+ rev. 1.1

last edit 2015-06-12

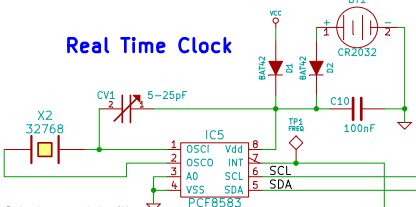
petSD+'s schematic and PCB layout by Nils Eilers are licensed under CC-BY-SA 4.0

Visit <http://creativecommons.org/licenses/by-sa/4.0/> for details

SD card slot

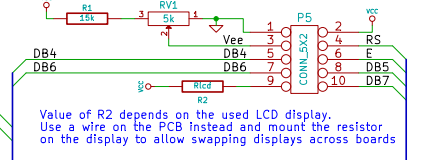


Real Time Clock



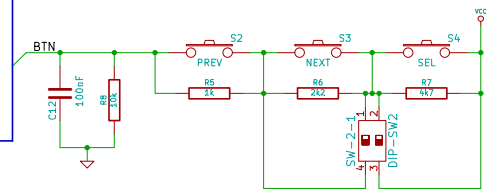
Select a crystal with series resistance <= 40 k Ohms and parallel load capacitance = 10 pF

LCD Text Display (HD44780)

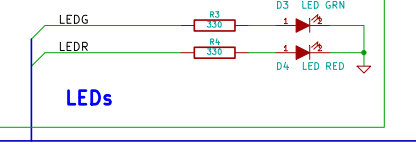


Value of R2 depends on the used LCD display. Use a wire on the PCB instead and mount the resistor on the display to allow swapping displays across boards

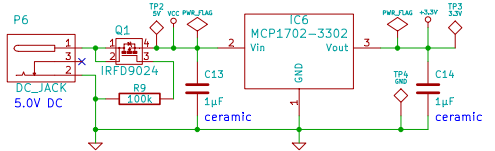
Buttons



LEDs



Power supply



Mounting holes

- MOUNTHOLE M1
- MOUNTHOLE M2
- MOUNTHOLE M3
- MOUNTHOLE M4

Switch	Device number
1 2	
OFF OFF	8
ON OFF	9
OFF ON	10
ON ON	11