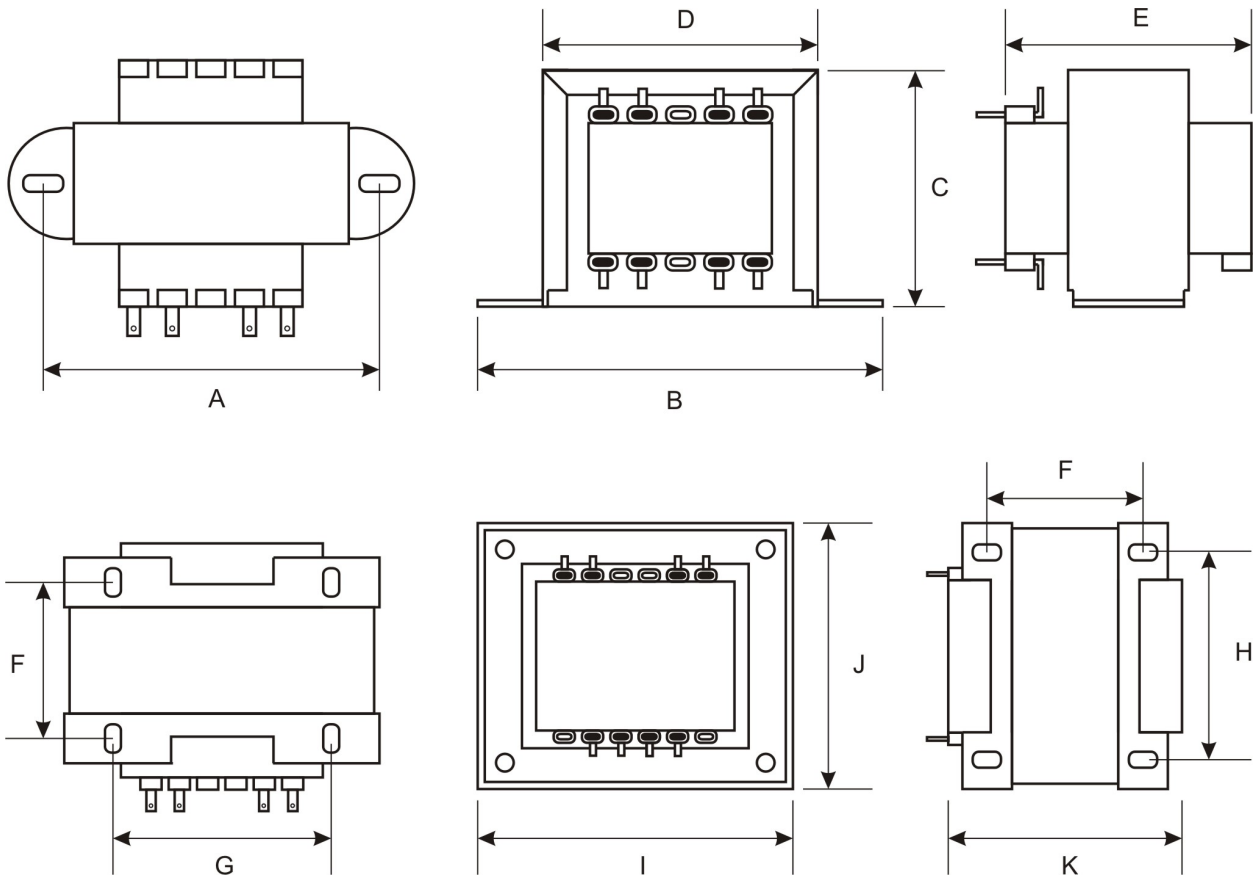
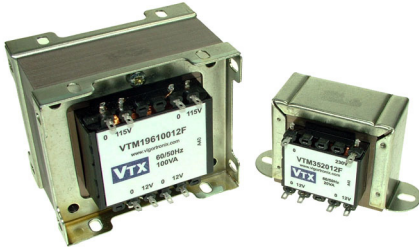




Features:

- Made in the UK
- Power: 6 ~ 2KVA 50/60Hz
- High Quality Transformer
- Double section metric bobbins
- Temperature Class: - Class B (130°C)
- Dielectric Strength: 3750Vrms
- Manufactured and tested in accordance to EN61558, EN60950, CE



VA Rating	Reg %	Dimension (mm) Excluding Tags											Weight (g)
		A	B	C	D	E	F	G	H	I	J	K	
6	24	55	68	37	45	36	-	-	-	-	-	-	170
12	16	74	90	50	60	45	-	-	-	-	-	-	390
20	12	74	90	50	60	52	-	-	-	-	-	-	530
25	10	83	97	58	69	53	-	-	-	-	-	-	675
50	9	94	106	65	79	58	-	-	-	-	-	-	985
75	8	102	118	75	89	65	-	-	-	-	-	-	1400
100	10	102	118	75	89	65	-	-	-	-	-	-	1550
150	9	-	-	-	-	-	62	63	49	88	74	78	2100
200	8	-	-	-	-	-	68	72	56	102	85	85	2750
Tolerance	2	+/-1	+/-1	+/-1	+/-1	+/-1	+/-1	+/-1	+/-1	+/-1	+/-1	+/-1	approx
250-2000	Please contact us to discuss your requirements												

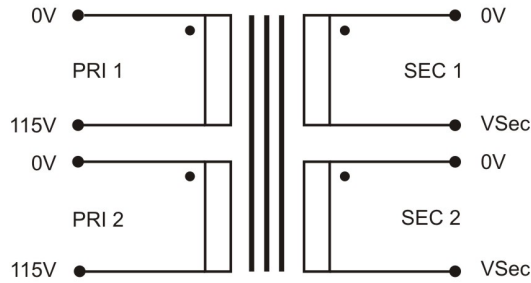
Please contact Vigortronix for any enquires. Products can be altered to suit custom requirements.
The information contained in this document is subject to change without notice.

230V Single Primary / Twin Secondaries							
VA	Part No	Input Voltage (Vac)	Output Voltage (Vac)	VA	Part No	Input Voltage (Vac)	Output Voltage (Vac)
6	VTX-126-006-2045	230	2 x 4.5	75	VTX-126-075-206	230	2 x 6
6	VTX-126-006-206	230	2 x 6	75	VTX-126-075-2075	230	2 x 7.5
6	VTX-126-006-2075	230	2 x 7.5	75	VTX-126-075-209	230	2 x 9
6	VTX-126-006-209	230	2 x 9	75	VTX-126-075-212	230	2 x 12
6	VTX-126-006-212	230	2 x 12	75	VTX-126-075-215	230	2 x 15
6	VTX-126-006-215	230	2 x 15	75	VTX-126-075-218	230	2 x 18
6	VTX-126-006-218	230	2 x 18	75	VTX-126-075-220	230	2 x 20
6	VTX-126-006-220	230	2 x 20	75	VTX-126-075-224	230	2 x 24
6	VTX-126-006-224	230	2 x 24	75	VTX-126-075-250	230	2 x 50
12	VTX-126-012-206	230	2 x 6	100	VTX-126-100-206	230	2 x 6
12	VTX-126-012-2075	230	2 x 7.5	100	VTX-126-100-2075	230	2 x 7.5
12	VTX-126-012-209	230	2 x 9	100	VTX-126-100-209	230	2 x 9
12	VTX-126-012-212	230	2 x 12	100	VTX-126-100-212	230	2 x 12
12	VTX-126-012-215	230	2 x 15	100	VTX-126-100-215	230	2 x 15
12	VTX-126-012-218	230	2 x 18	100	VTX-126-100-218	230	2 x 18
12	VTX-126-012-220	230	2 x 20	100	VTX-126-100-220	230	2 x 20
12	VTX-126-012-224	230	2 x 24	100	VTX-126-100-224	230	2 x 24
				100	VTX-126-100-250	230	2 x 50
20	VTX-126-020-206	230	2 x 6				
20	VTX-126-020-2075	230	2 x 7.5	150	VTX-126-150-206	230	2 x 6
20	VTX-126-020-209	230	2 x 9	150	VTX-126-150-2075	230	2 x 7.5
20	VTX-126-020-212	230	2 x 12	150	VTX-126-150-209	230	2 x 9
20	VTX-126-020-215	230	2 x 15	150	VTX-126-150-212	230	2 x 12
20	VTX-126-020-218	230	2 x 18	150	VTX-126-150-215	230	2 x 15
20	VTX-126-020-220	230	2 x 20	150	VTX-126-150-218	230	2 x 18
20	VTX-126-020-224	230	2 x 24	150	VTX-126-150-220	230	2 x 20
				150	VTX-126-150-224	230	2 x 24
25	VTX-126-025-206	230	2 x 6	150	VTX-126-150-250	230	2 x 50
25	VTX-126-025-2075	230	2 x 7.5				
25	VTX-126-025-209	230	2 x 9	200	VTX-126-200-206	230	2 x 6
25	VTX-126-025-212	230	2 x 12	200	VTX-126-200-2075	230	2 x 7.5
25	VTX-126-025-215	230	2 x 15	200	VTX-126-200-209	230	2 x 9
25	VTX-126-025-218	230	2 x 18	200	VTX-126-200-212	230	2 x 12
25	VTX-126-025-220	230	2 x 20	200	VTX-126-200-215	230	2 x 15
25	VTX-126-025-224	230	2 x 24	200	VTX-126-200-218	230	2 x 18
50	VTX-126-050-206	230	2 x 6	200	VTX-126-200-220	230	2 x 20
50	VTX-126-050-2075	230	2 x 7.5	200	VTX-126-200-224	230	2 x 24
50	VTX-126-050-209	230	2 x 9	200	VTX-126-200-250	230	2 x 50
50	VTX-126-050-212	230	2 x 12				
50	VTX-126-050-215	230	2 x 15	Other Power (VA) available			
50	VTX-126-050-218	230	2 x 18				
50	VTX-126-050-220	230	2 x 20				
50	VTX-126-050-224	230	2 x 24				

115V Twin Primary / Twin Secondaries							
VA	Part No	Input Voltage (Vac)	Output Voltage (Vac)	VA	Part No	Input Voltage (Vac)	Output Voltage (Vac)
6	VTX-126-006-4045	2 x 115	2 x 4.5	75	VTX-126-075-406	2 x 115	2 x 6
6	VTX-126-006-406	2 x 115	2 x 6	75	VTX-126-075-4075	2 x 115	2 x 7.5
6	VTX-126-006-4075	2 x 115	2 x 7.5	75	VTX-126-075-409	2 x 115	2 x 9
6	VTX-126-006-409	2 x 115	2 x 9	75	VTX-126-075-412	2 x 115	2 x 12
6	VTX-126-006-412	2 x 115	2 x 12	75	VTX-126-075-415	2 x 115	2 x 15
6	VTX-126-006-415	2 x 115	2 x 15	75	VTX-126-075-418	2 x 115	2 x 18
6	VTX-126-006-418	2 x 115	2 x 18	75	VTX-126-075-420	2 x 115	2 x 20
6	VTX-126-006-420	2 x 115	2 x 20	75	VTX-126-075-424	2 x 115	2 x 24
6	VTX-126-006-424	2 x 115	2 x 24	75	VTX-126-075-450	2 x 115	2 x 50
12	VTX-126-012-406	2 x 115	2 x 6	100	VTX-126-100-406	2 x 115	2 x 6
12	VTX-126-012-4075	2 x 115	2 x 7.5	100	VTX-126-100-4075	2 x 115	2 x 7.5
12	VTX-126-012-409	2 x 115	2 x 9	100	VTX-126-100-409	2 x 115	2 x 9
12	VTX-126-012-412	2 x 115	2 x 12	100	VTX-126-100-412	2 x 115	2 x 12
12	VTX-126-012-415	2 x 115	2 x 15	100	VTX-126-100-415	2 x 115	2 x 15
12	VTX-126-012-418	2 x 115	2 x 18	100	VTX-126-100-418	2 x 115	2 x 18
12	VTX-126-012-420	2 x 115	2 x 20	100	VTX-126-100-420	2 x 115	2 x 20
12	VTX-126-012-424	2 x 115	2 x 24	100	VTX-126-100-424	2 x 115	2 x 24
				100	VTX-126-100-450	2 x 115	2 x 50
20	VTX-126-020-406	2 x 115	2 x 6				
20	VTX-126-020-4075	2 x 115	2 x 7.5	150	VTX-126-150-406	2 x 115	2 x 6
20	VTX-126-020-409	2 x 115	2 x 9	150	VTX-126-150-4075	2 x 115	2 x 7.5
20	VTX-126-020-412	2 x 115	2 x 12	150	VTX-126-150-409	2 x 115	2 x 9
20	VTX-126-020-415	2 x 115	2 x 15	150	VTX-126-150-412	2 x 115	2 x 12
20	VTX-126-020-418	2 x 115	2 x 18	150	VTX-126-150-415	2 x 115	2 x 15
20	VTX-126-020-420	2 x 115	2 x 20	150	VTX-126-150-418	2 x 115	2 x 18
20	VTX-126-020-424	2 x 115	2 x 24	150	VTX-126-150-420	2 x 115	2 x 20
				150	VTX-126-150-424	2 x 115	2 x 24
25	VTX-126-025-406	2 x 115	2 x 6	150	VTX-126-150-450	2 x 115	2 x 50
25	VTX-126-025-4075	2 x 115	2 x 7.5				
25	VTX-126-025-409	2 x 115	2 x 9	200	VTX-126-200-406	2 x 115	2 x 6
25	VTX-126-025-412	2 x 115	2 x 12	200	VTX-126-200-4075	2 x 115	2 x 7.5
25	VTX-126-025-415	2 x 115	2 x 15	200	VTX-126-200-409	2 x 115	2 x 9
25	VTX-126-025-418	2 x 115	2 x 18	200	VTX-126-200-412	2 x 115	2 x 12
25	VTX-126-025-420	2 x 115	2 x 20	200	VTX-126-200-415	2 x 115	2 x 15
25	VTX-126-025-424	2 x 115	2 x 24	200	VTX-126-200-418	2 x 115	2 x 18
50	VTX-126-050-406	2 x 115	2 x 6	200	VTX-126-200-420	2 x 115	2 x 20
50	VTX-126-050-4075	2 x 115	2 x 7.5	200	VTX-126-200-424	2 x 115	2 x 24
50	VTX-126-050-409	2 x 115	2 x 9	200	VTX-126-200-450	2 x 115	2 x 50
50	VTX-126-050-412	2 x 115	2 x 12				
50	VTX-126-050-415	2 x 115	2 x 15		Other Power (VA) available		
50	VTX-126-050-418	2 x 115	2 x 18				
50	VTX-126-050-420	2 x 115	2 x 20				
50	VTX-126-050-424	2 x 115	2 x 24				

120V Twin Primary / Twin Secondary							
VA	Part No	Input Voltage (Vac)	Output Voltage (Vac)	VA	Part No	Input Voltage (Vac)	Output Voltage (Vac)
6	VTX-126-006-606	2 x 120	2 x 6	50	VTX-126-050-606	2 x 120	2 x 6
6	VTX-126-006-6075	2 x 120	2 x 7.5	50	VTX-126-050-6075	2 x 120	2 x 7.5
6	VTX-126-006-609	2 x 120	2 x 9	50	VTX-126-050-609	2 x 120	2 x 9
6	VTX-126-006-612	2 x 120	2 x 12	50	VTX-126-050-612	2 x 120	2 x 12
6	VTX-126-006-615	2 x 120	2 x 15	50	VTX-126-050-615	2 x 120	2 x 15
6	VTX-126-006-618	2 x 120	2 x 18	50	VTX-126-050-618	2 x 120	2 x 18
6	VTX-126-006-620	2 x 120	2 x 20	50	VTX-126-050-620	2 x 120	2 x 20
6	VTX-126-006-624	2 x 120	2 x 24	50	VTX-126-050-624	2 x 120	2 x 24
12	VTX-126-012-606	2 x 120	2 x 6	75	VTX-126-075-606	2 x 120	2 x 6
12	VTX-126-012-6075	2 x 120	2 x 7.5	75	VTX-126-075-6075	2 x 120	2 x 7.5
12	VTX-126-012-609	2 x 120	2 x 9	75	VTX-126-075-609	2 x 120	2 x 9
12	VTX-126-012-612	2 x 120	2 x 12	75	VTX-126-075-612	2 x 120	2 x 12
12	VTX-126-012-615	2 x 120	2 x 15	75	VTX-126-075-615	2 x 120	2 x 15
12	VTX-126-012-618	2 x 120	2 x 18	75	VTX-126-075-618	2 x 120	2 x 18
12	VTX-126-012-620	2 x 120	2 x 20	75	VTX-126-075-620	2 x 120	2 x 20
12	VTX-126-012-624	2 x 120	2 x 24	75	VTX-126-075-624	2 x 120	2 x 24
				75	VTX-126-075-650	2 x 120	2 x 50
20	VTX-126-020-606	2 x 120	2 x 6	100	VTX-126-100-606	2 x 120	2 x 6
20	VTX-126-020-6075	2 x 120	2 x 7.5	100	VTX-126-100-6075	2 x 120	2 x 7.5
20	VTX-126-020-609	2 x 120	2 x 9	100	VTX-126-100-609	2 x 120	2 x 9
20	VTX-126-020-612	2 x 120	2 x 12	100	VTX-126-100-612	2 x 120	2 x 12
20	VTX-126-020-615	2 x 120	2 x 15	100	VTX-126-100-615	2 x 120	2 x 15
20	VTX-126-020-618	2 x 120	2 x 18	100	VTX-126-100-618	2 x 120	2 x 18
20	VTX-126-020-620	2 x 120	2 x 20	100	VTX-126-100-620	2 x 120	2 x 20
20	VTX-126-020-624	2 x 120	2 x 24	100	VTX-126-100-624	2 x 120	2 x 24
				100	VTX-126-100-650	2 x 120	2 x 50
25	VTX-126-025-606	2 x 120	2 x 6	200	VTX-126-200-606	2 x 120	2 x 6
25	VTX-126-025-6075	2 x 120	2 x 7.5	200	VTX-126-200-6075	2 x 120	2 x 7.5
25	VTX-126-025-609	2 x 120	2 x 9	200	VTX-126-200-609	2 x 120	2 x 9
25	VTX-126-025-612	2 x 120	2 x 12	200	VTX-126-200-612	2 x 120	2 x 12
25	VTX-126-025-615	2 x 120	2 x 15	200	VTX-126-200-615	2 x 120	2 x 15
25	VTX-126-025-618	2 x 120	2 x 18	200	VTX-126-200-618	2 x 120	2 x 18
25	VTX-126-025-620	2 x 120	2 x 20	200	VTX-126-200-620	2 x 120	2 x 20
25	VTX-126-025-624	2 x 120	2 x 24	200	VTX-126-200-624	2 x 120	2 x 24
				200	VTX-126-200-650	2 x 120	2 x 50

Typical Wiring diagram for transformer with dual Primary and Secondary windings



Schematic Diagram

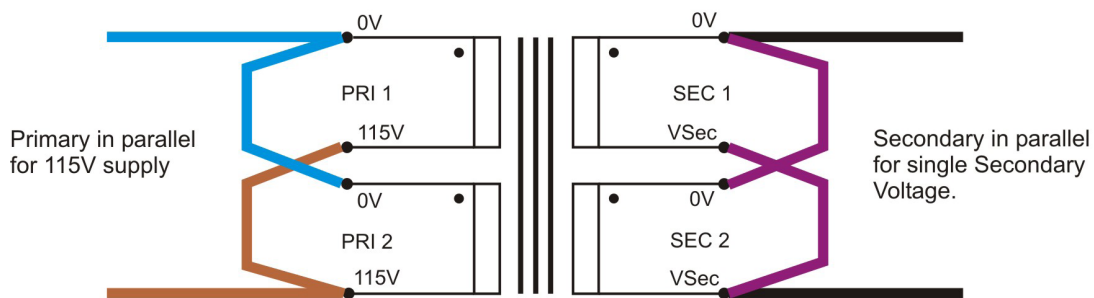
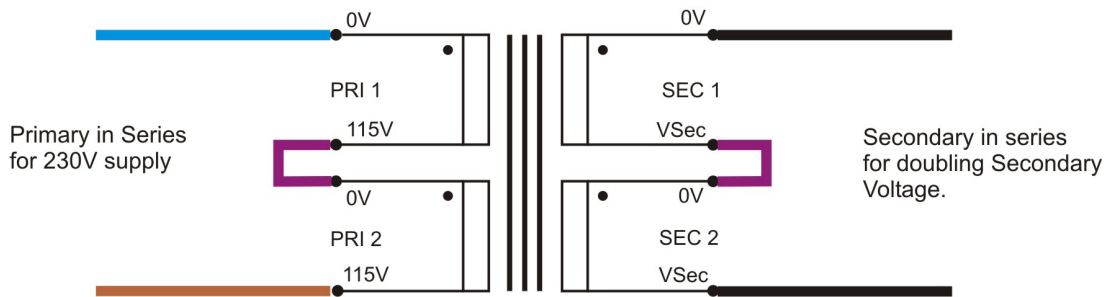


Diagram Key

-  Supply Live
-  Supply Neutral
-  Link Wire to connect.
-  Secondary Output