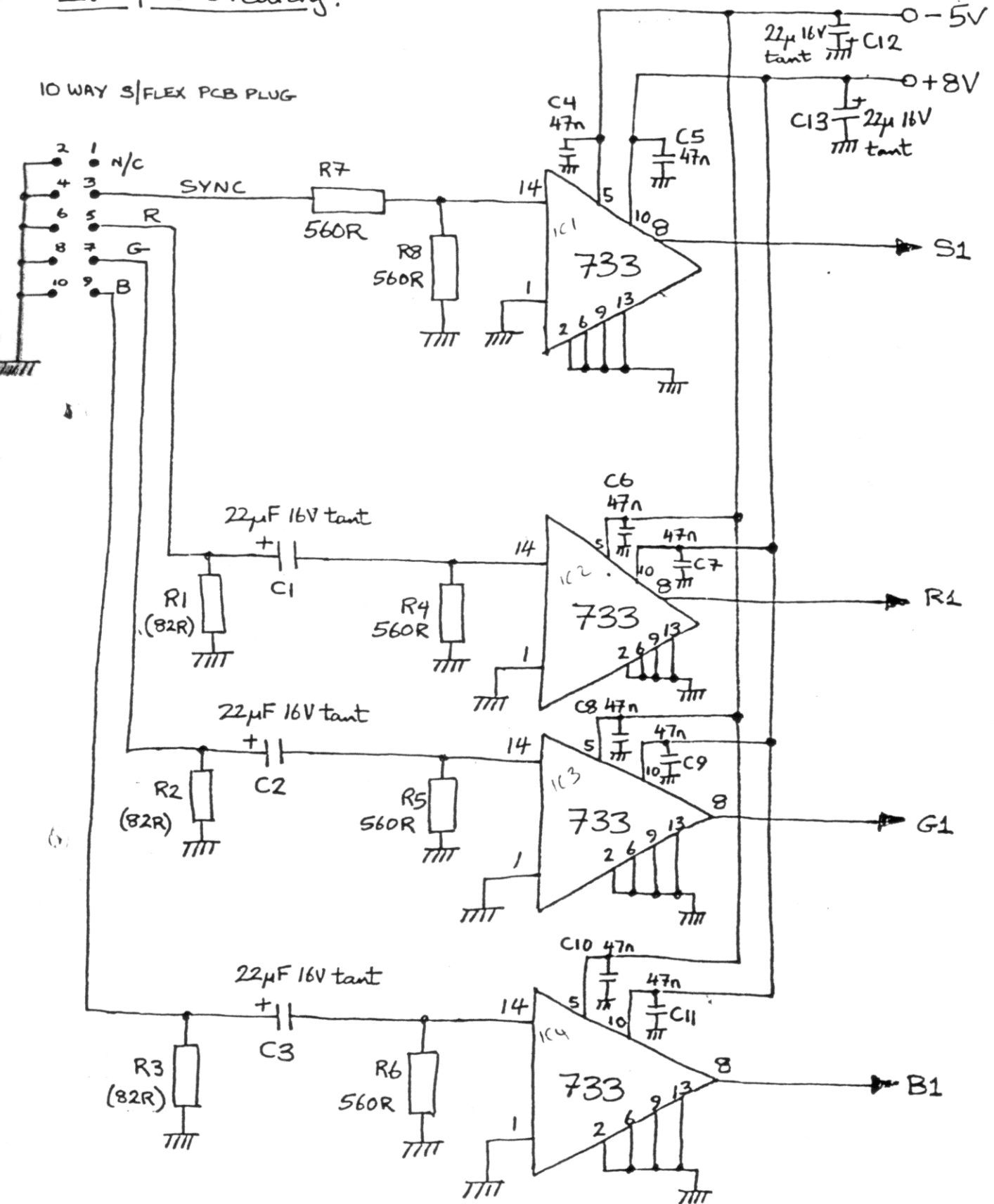


Video A/D Converter. (HRXAD1)

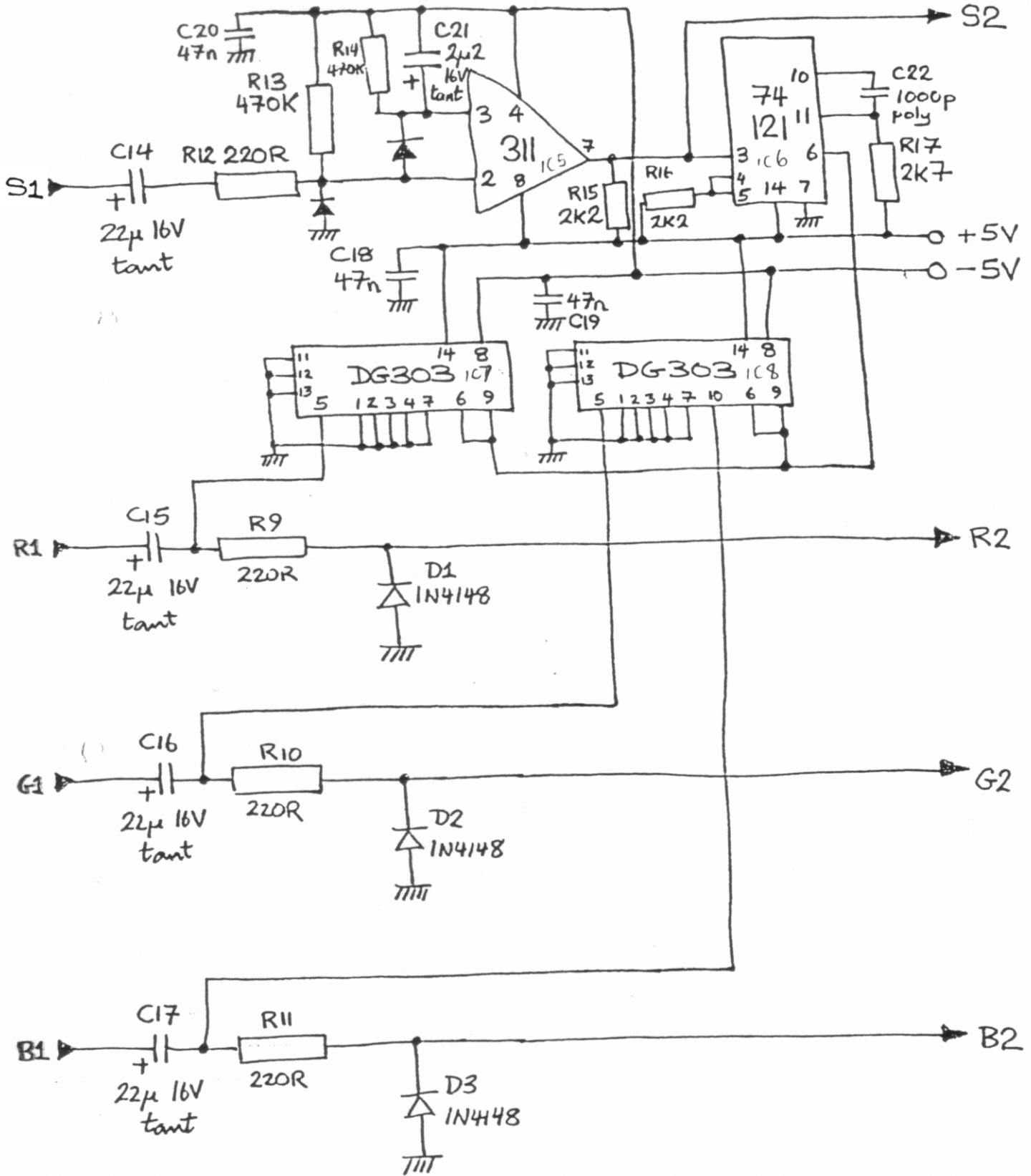
1. Input Circuitry.



REMARK: USE TOP OF PCB AS EARTH PLANE FOR THIS PART OF THE CIRCUIT, Keep tracks short.

Video A/D Converter.

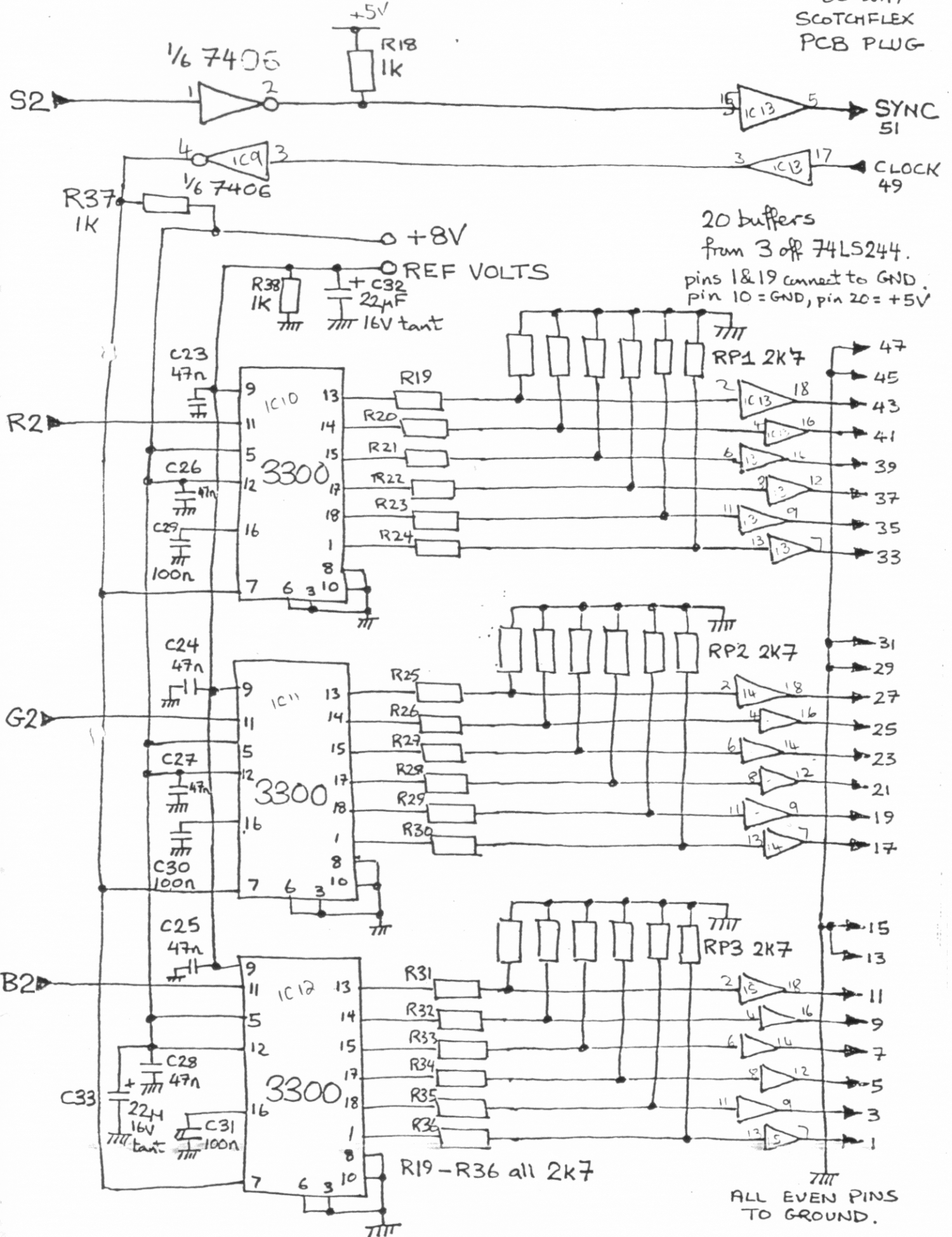
2. Zero Voltage Clamp (Black Level)



Video A/D Converter.

3. Triple A/D and output Buffers.

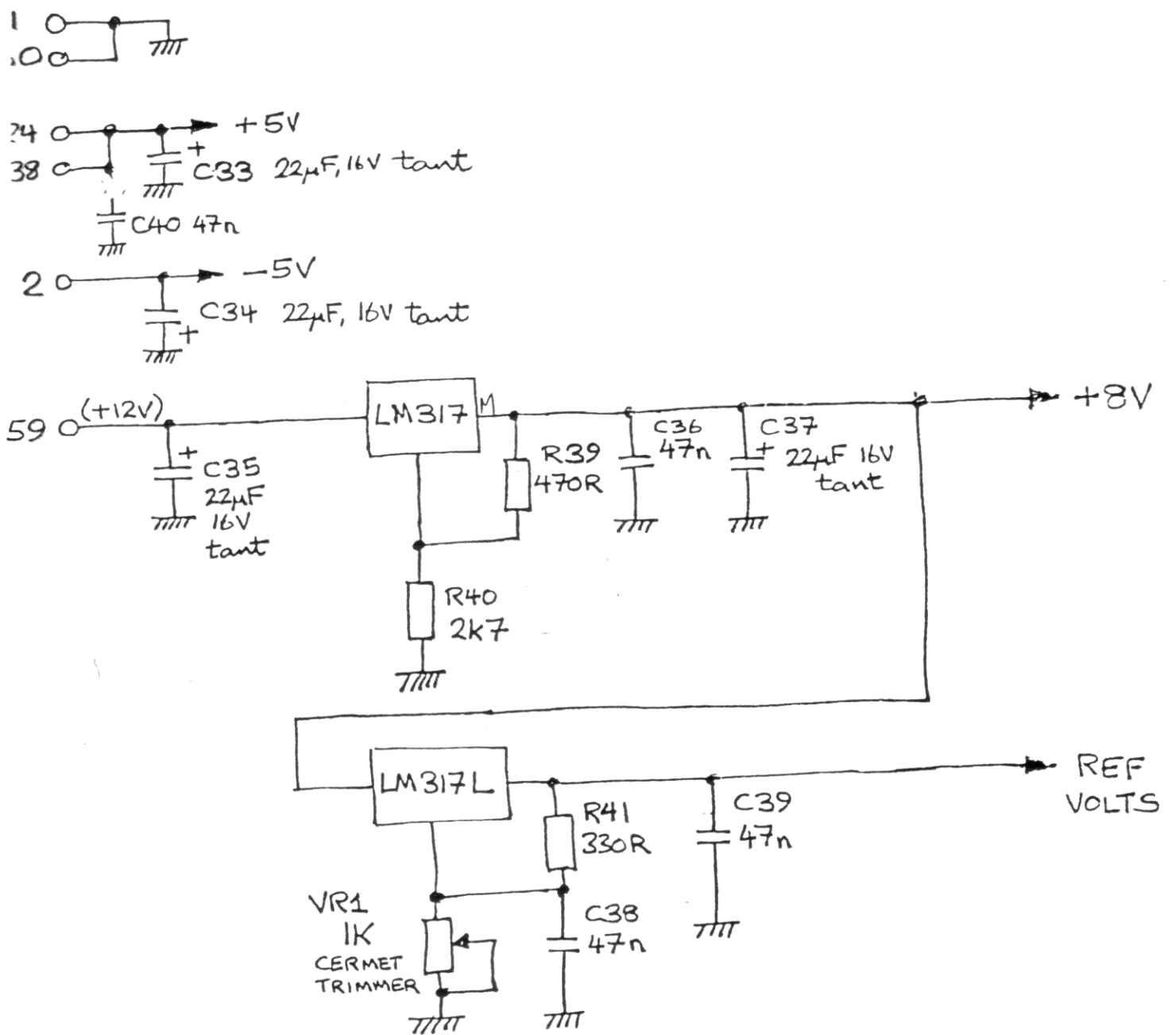
60 WAY
SCOTCHFLEX
PCB PLUG



Video A/D Converter

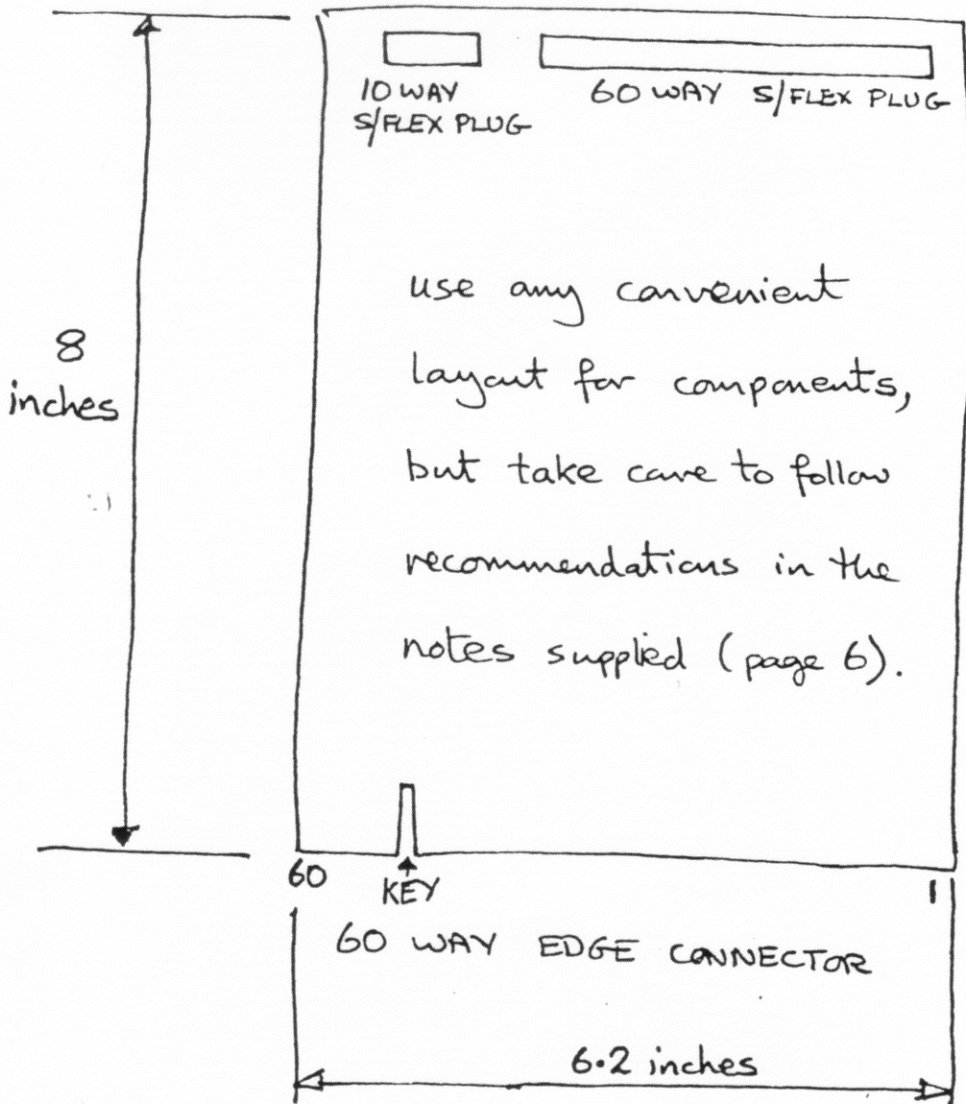
4. Power Supplies.

60 WAY EDGE CONNECTOR.



Video A/D Converter

5. Board Layout.



VIEWED FROM COMPONENT SIDE.

1/3/84

Page 6 of 6.

Video A/D Converter.

Notes.

1. Unless otherwise specified; all resistors are $\frac{1}{4}W$ 5% carbon film.
2. All $47n$ capacitors are ceramic plate types and are to be placed as close as possible to the power input pin of the I.C. that they are decoupling.
3. All electrolytic capacitors are miniature tantalum bead types.
4. The input, black level clamp and A/D converter input circuits are to be laid out with the top of the PCB used as a complete ground plane. The clock input and output circuits of the A/D can be laid out as conventional double sided PCB.
5. Scotchflex connectors are upright PCB plug type.

VIDEO A/D CONVERTER HRXAD1

5	x	560R	RESISTOR	$\frac{1}{4}$ W	5%	CARBON FILM
3	x	82R	
4	x	220R	
2	x	470K	
38	x	2K7	
2	x	2K2	
3	x	1K	
1	x	330R	
1	x	470R	

21	x	47ns	CAPACITOR	CERAMIC	PLATE	TYPE
15	x	22uf. 16V.	CAP.	TANTALUM		
1	x	2.2uf. 16V		
1	x	1000 pf	POLY. TYPE	CAP.		
3	x	100ns	CERAMIC	PLATE	TYPE	
5	x	IN4148	DIODE			
1	x	1K	CERMET	TRIMMER.		

1	x	60 WAY.	SCOTCH FLEX.	DIL.	UPRIGHT
1	x	10

1	x	317M	} Adjustable Voltage Reg.	8	x	14 PIN SOCKET
1	x	317L		1	x	8 " "
4	x	uA 733, TEXAS INST		3	x	20 " "
1	x	311		3	x	18 " "
1	x	74121				
2	x	DG 303				
1	x	7406				
3	x	3300				
3	x	LS244				