

**MEMOTECH
FLOPPY DISC
SYSTEM**

**OPERATOR'S
MANUAL**

CONTENTS

		Page
	Introduction	
1	What is CP/M?	
2	Setting up the Hardware	
3	Getting Started	
4	Built in Commands	
	DIR Directory	4.1
	ERA Erase a file	4.4
	TYPE Type a file	4.5
	REN Rename a file	4.5
	USER User number	4.6
	SAVE Save a file	4.7
5	Running a Program	
6	Changing Discs and Drives	
7	CP/M Utility Programs	
	FORMAT Preparing a new disc	7.2
	SYSCOPY Copying CP/M	7.4
	PIP What is PIP?	7.5
	Copying disc files	7.5
	Copying between peripherals	7.7
	Options for changing files	7.9
	Options for general copying	7.12
	Special uses	7.14
	STAT Checking system status	7.16
	Displaying remaining disc space	7.16
	Displaying file size	7.16
	Setting disc and file status	7.18
	Checking peripheral assignment	7.20
	Changing peripheral assignments	7.22
	MOVCPM Changing CP/M system size	7.23
8	MTX special CP/M Utilities	
	CONFIG Configures CP/M for disc drive variations	8.1
	STARTUP Initialises startup command string	8.3
	COLDBOOT Generates a cold start	8.3
	BAUD Sets RS232 baud rate	8.3
	RCHECK Read/checks drive	8.3
	BATCH Similar to CP/M transient submit	8.3
	ENTER Used inside submit or batch files	8.3
	ERAQ Erase with query	8.4
	SIDISC Silicon Disc support software	8.4
	SISPOOL Silicon Disc print buffer	8.4

9 Programing Utilities

ED	Editor	9.1
ASM	Assembler	9.1
LOAD	Loader	9.2
DDT	Dynamic debugging tool	9.2
DUMP	Display file	9.3
SUBMIT	Automatic operation	9.3
XSUB	Extended submit	9.4
SUB	Modified version of submit	9.5

10 CP/M control character summary

11 CP/M filenames

12 CP/M messages

13 CP/M BDOS function calls

14 Commands at a glance

Index

INTRODUCTION

The MTX FDX is a very sophisticated and complex piece of equipment, using some of the very latest techniques; however, it is very simple to use, and in a short period of time even the novice will feel completely at ease with the system.

In order to use your FDX you will need an MTX 512 or an MTX 500 upgraded to 64K bytes of RAM, the RS232 Communications Board and a suitable monitor.

Those of you who have the Single Disc/Silicon Disc system can proceed as described here for the twin disc system; the main difference is that your second drive is drive F: and not drive C:, and that you will have to format drive F: every time you power up. For further details on the Silicon Disc refer to the technical manual at the end of this book.

This manual has been designed to enable you to get down to work as soon as your system has been put together. It starts with a brief guide to the operation of your FDX, and then gives you an introduction to CP/M (the Disc Operating System or DOS), followed by a more detailed description of your particular CP/M utilities.

Those of you already familiar with CP/M will be able to proceed after reading the guide to operation, whilst newcomers to CP/M will be able to learn the operating system one step at a time starting with the most important commands, and working through to the more complex CP/M utilities. However, those of you with experience of CP/M will find a number of extra utilities not normally found in CP/M.

Chapter One : What is CP/M

Terrific! You now own an MTX-FDX and a copy of MTX-CP/M. That means your MTX-FDX can use thousands of pre-written software programs at the touch of a button. Good choice – but what is CP/M and why is it so important? Here's a look:

A computer can be awfully dumb. Without step-by-step instructions – a program – it doesn't know a keyboard from a keyhole. But that's where CP/M (Control Program for Micro-computers) comes in. It's a program that teaches your computer the basics: how to accept commands from the keyboard, how to display information on the video console, and how to use external peripheral devices such as a printer.

But there's more. The heart of CP/M is its ability to control a disc drive device. (That's why CP/M is also known as a Disc Operating System – or DOS, for short.) With a disc drive you can quickly save or retrieve your individual programs or data on magnetically-sensitive recording discs. Some discs (called 'floppies') hold **thousands** of pieces of information and are removable. When full, you merely replace it with another. Other discs are permanently installed. These are 'hard discs' and, although they can't be removed, they hold **millions** of pieces of data.

This all means that CP/M makes your computer instantly intelligent: capable of communicating with you through its peripheral devices and capable of accessing virtually any information it needs from the disc drive. But CP/M also has one other extremely important advantage: it makes your computer compatible with other computers.

Just a few years ago all small computers were totally incompatible. A program written for one computer could not be used on another. And all computers were operated differently – If you became skilled at using one make, you had to begin again to learn another.

But CP/M has changed all that. It can be used by many different types of computers. Only slight changes in its programming instructions are needed to tell it exactly how a particular system works. (The changes for your computer have already been made in your copy of CP/M.)

Once entered into your computer, CP/M acts as a translator for other programs. They merely ask to have data saved, for example, and CP/M knows how to do it with your particular system. That means your computer can use programs or data created by any other computer using CP/M – or it can use any of the thousands of pre-written programs now available off-the-shelf for CP/M systems.

Also, since all CP/M computers operate alike, once you learn how to use it on your system, you'll have mastered it for all others: hundreds of computer brands now use CP/M – and you'll be able to instantly operate any one of them.

It's all on disc

CP/M comes pre-recorded on the disc you own. And, once the program is entered into your computer, you get instant control by using one or more of its built-in commands. You use these commands by merely typing at your keyboard – at a touch, you can run programs, for example, save data, or erase it.

But CP/M is not alone. The disc also contains a number of 'utility' programs. These programs enter your computer only when needed and are designed for special jobs. They will allow you to copy data from one disc to another, for instance, or check the status of your system, and a variety of other tasks to help you – and CP/M – use your computer more efficiently.

Chapter Two : Setting up the Hardware

- 1 Undo the three allen head bolts on the right hand side end plate of the MTX.

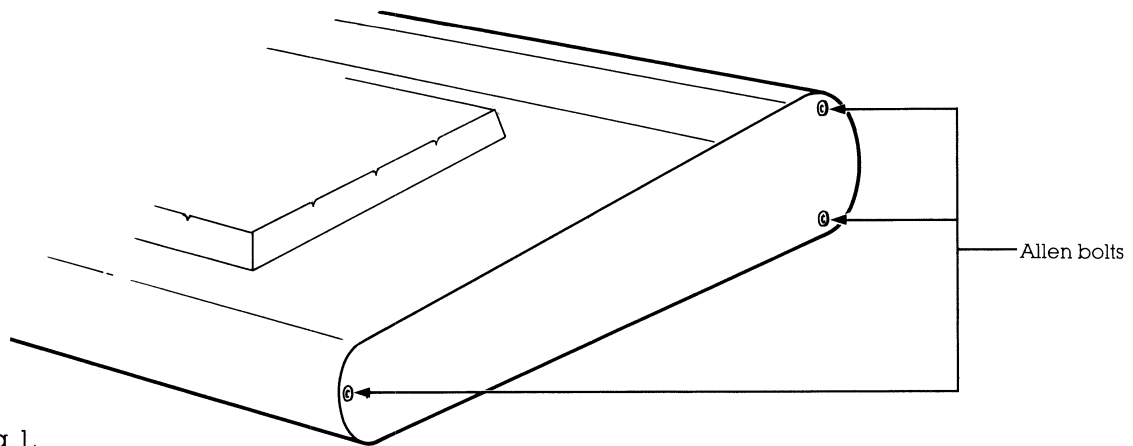


Fig 1.

- 2 Undo the rear bottom bolt on the left hand side end plate.

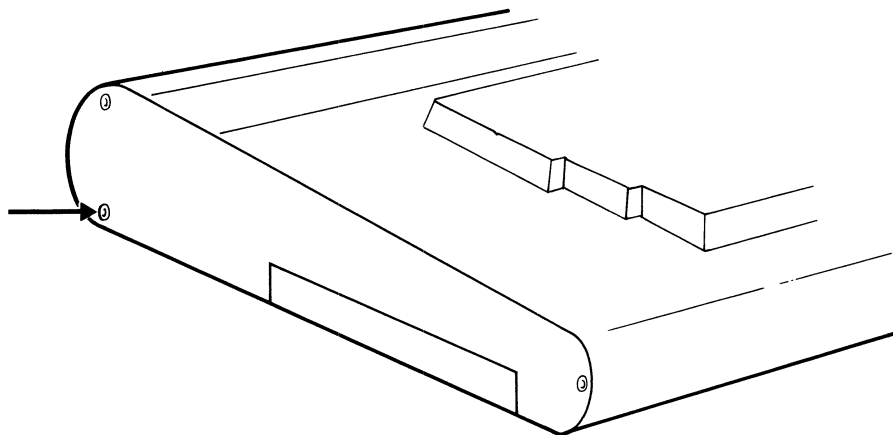


Fig 2.

- 3 Lift the MTX at the rear so that it opens up.

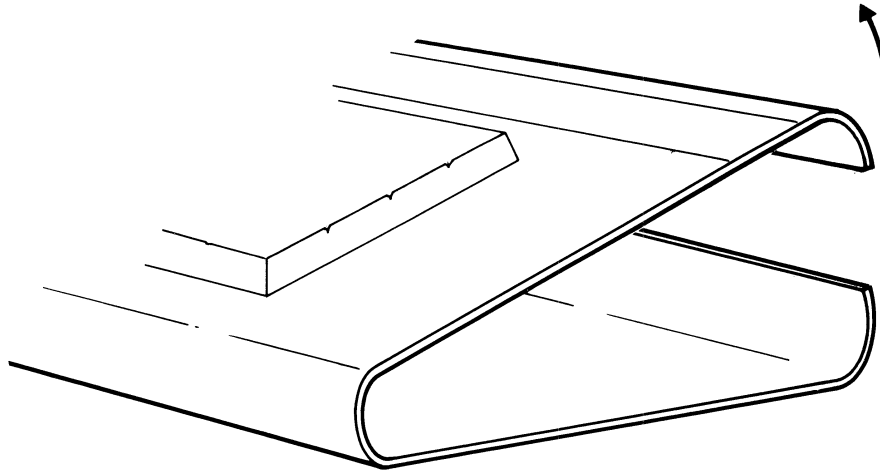


Fig 3.

- 4 Slide in the RS232 board and ensure the edge connector makes good contact with the edge of the Mother Board.
NOTE: If you have an extension RAM board already connected go to Section 9.

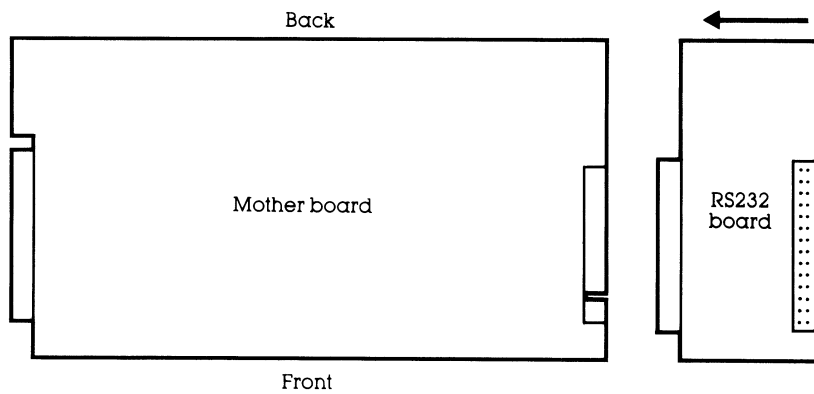


Fig 4.

- 5 Plug the Interface cable into the 60-way header plug on the RS232 card, ensure pin 1 on the socket (indicated by an arrow head) goes to pin 1 on the RS232 card. The cable should stick out to the right (away from the Mother Board). If it does not, and the pins are lined up correctly, remove the cable and plug the other end into the RS232 card.

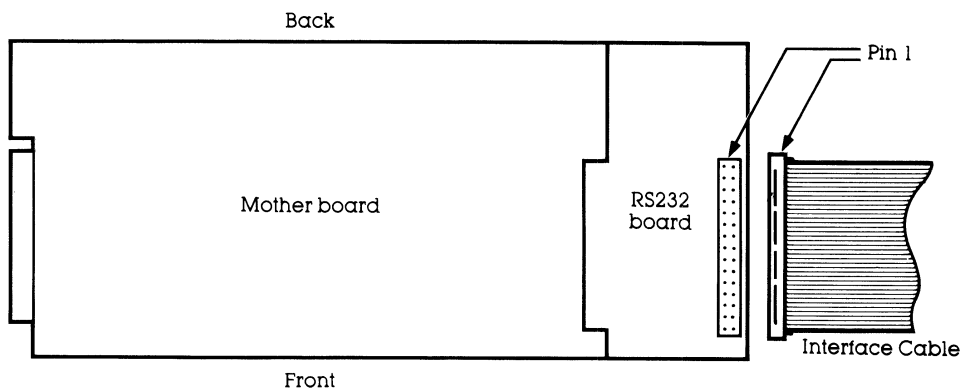
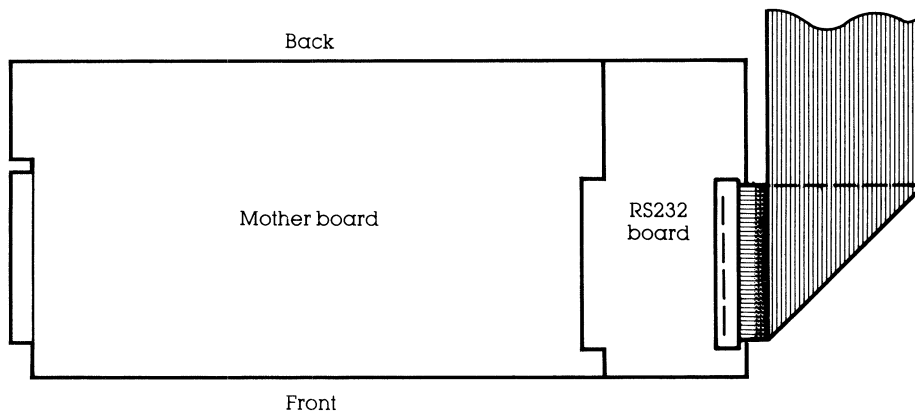
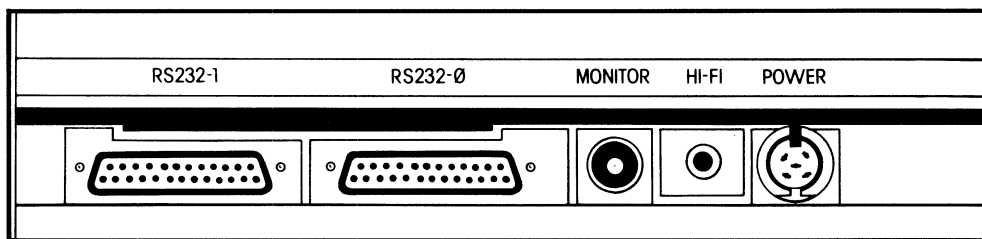


Fig 5.

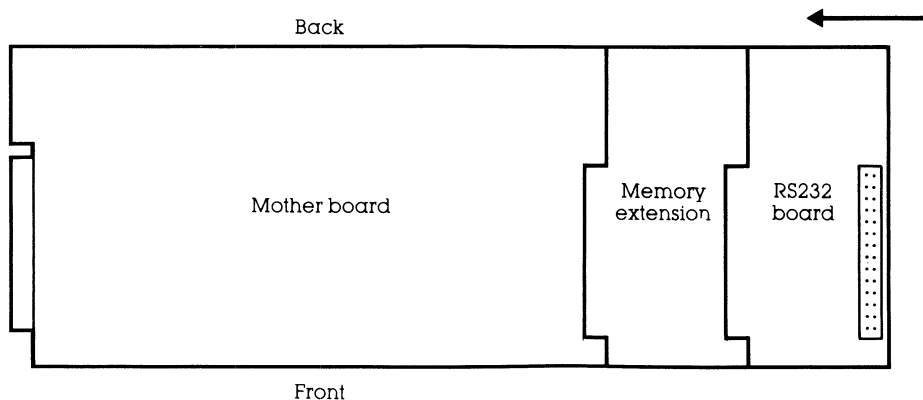
- 6 Fold the cable close to the connector at ninety degrees, so the cable now protrudes from the back of the MTX.



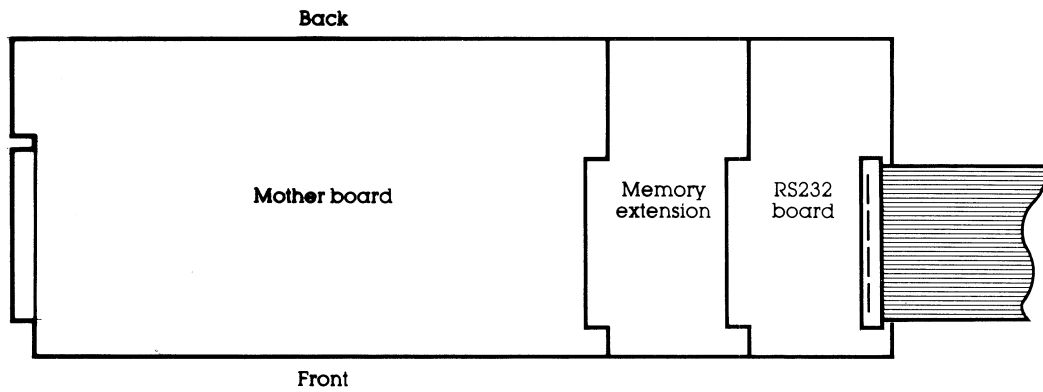
- 7 The cable will lay in the recess above the RS232 ports.



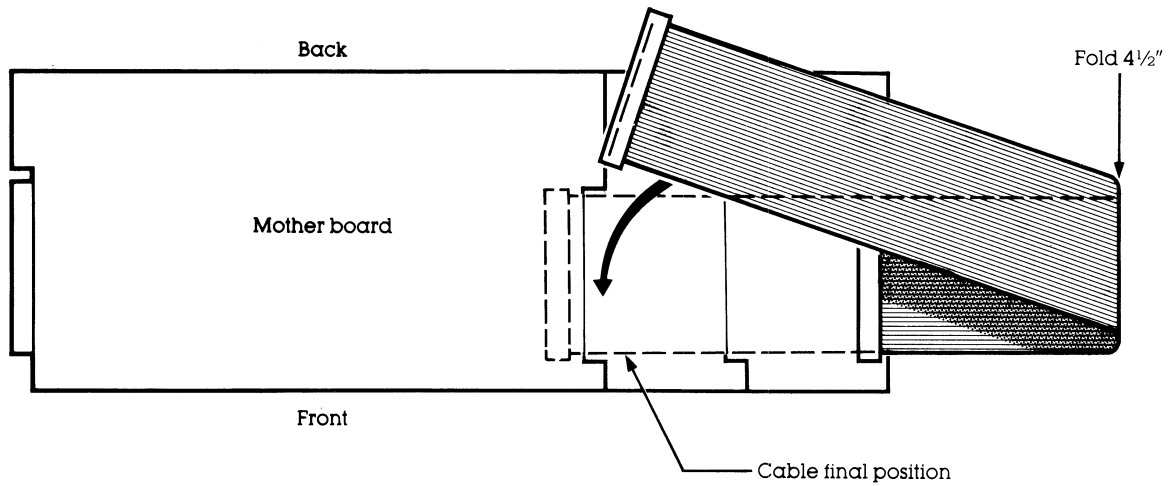
- 8 Close the MTX and replace the end plates and allen bolts.
- 9 Users with RAM expansion cards proceed from here. Users without RAM expansion cards go to Section 16.
- 10 Slide in the RS232 board ensuring that a good contact is made between the RS232 board and the memory expansion board.



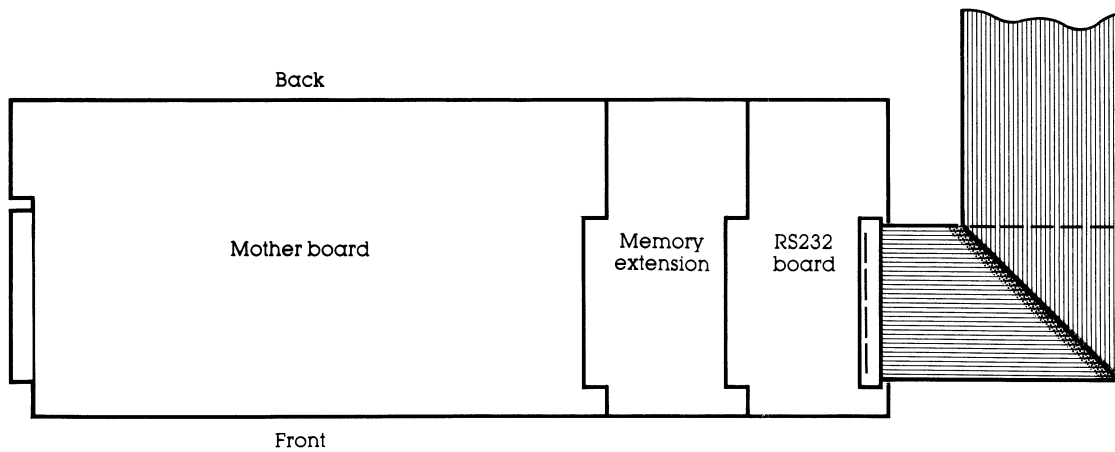
- 11 Plug in the Interface cable so that the cable points away from the Mother Board and that pin 1 on the cable is lined up with pin 1 on the connector (pin 1 is marked by an arrow head).



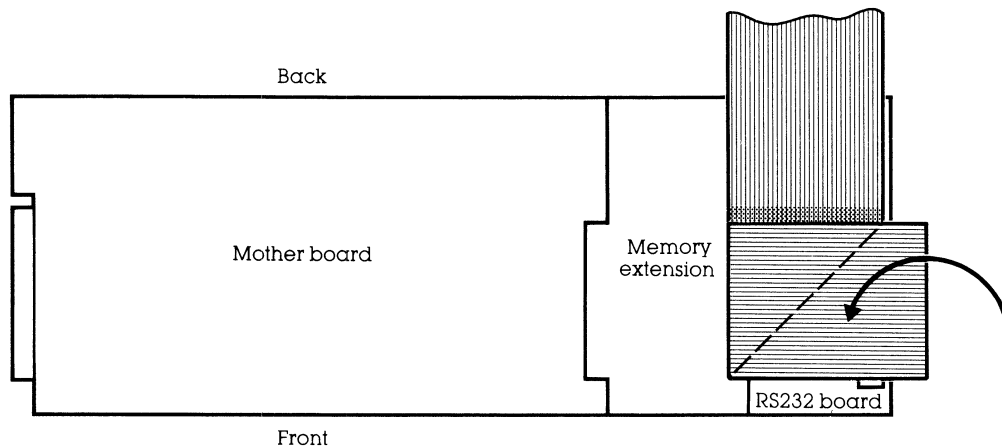
- 12 Fold the cable back onto itself so that the fold is 4½ inches from the connector.



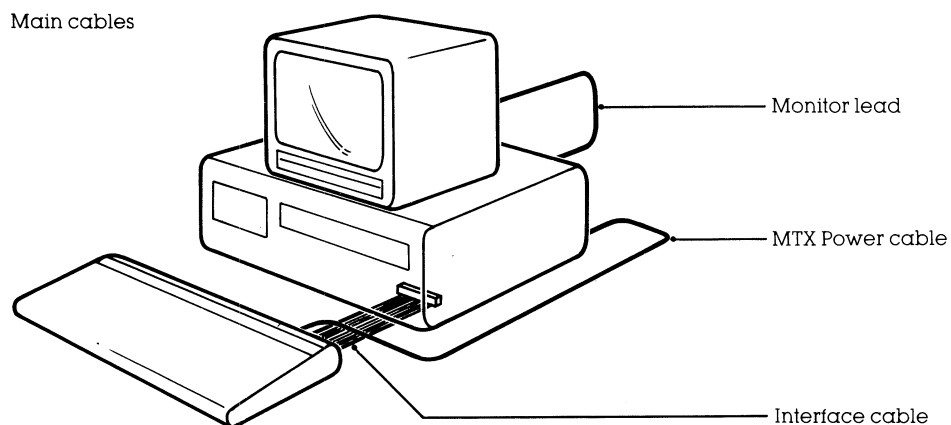
- 13 Fold the cable once more so that the front edge of the cable lines up with the fold you have just made. The cable should now lay out of the back of the MTX.



- 14 Fold the complete cable along the edge of the connector on the RS232 card as shown. The cable should now point out of the back of the MTX, and lay in the recess above the RS232 ports.



- 15 Close the MTX and replace the end plates and allen bolts.
- 16 Plug the interface cable from the MTX into the socket in the base of the FDX, as shown.



- 17 Connect the MTX power lead into the back of the MTX, and connect the other end into the rear panel of the FDX.
- 18 Stand your monitor on top of the FDX case and connect the monitor lead.
- 19 Plug the monitor into the mains and switch on.
- 20 Connect the FDX mains lead, and plug into the mains.
- 21 Switch on the FDX (red switch on front panel)
- 22 Observe the following:-
- A Mains switch illuminated.
 - B Red LED on drive B illuminated.
 - C Sign on message appears on screen.

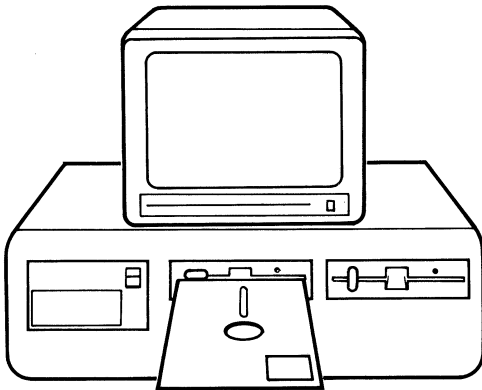
Chapter Three : Getting Started

If you have set up your MTX-FDX according to the instructions in the previous section the following sign on message should be on the screen.

```
MTX Bootstrap Prom #SFDX01-V03  
  
Ram Test - OK  
  
Boot B03
```

If you do not see the above message carefully follow the instructions in the set-up section once more.

If the sign on message does appear, carefully insert your system disc into drive B, ensuring the disc is orientated correctly, and close the drive door.



```
MTX 54K Memotech Bios:03-Apr-84  
  
A> CONFIG B:03,C:03  
  
Disc Configuration Status  
  
System booted from.....B:  
Drive A: Mapped to.....B:  
Free Space pointer.....D588  
Top of available ram....F000  
  
Drive B: is type 03 - FL5 D/D D/S 48T  
Drive C: is type 03 - FL5 D/D D/S 48T  
  
A>
```

The screen should now appear as shown above. CP/M has been loaded or '**booted**' into your computer.

The A> is called the '**prompt**' sign, and the flashing square is the **cursor**. The prompt shows that the computer is now ready to accept information typed at the keyboard. The cursor indicates the position at which the next character will be typed.

The 'A>' will be replaced by a 'B>' when drive B is accessed, and similarly 'C>' will indicate that drive C is being accessed. Before you ask the question, this does not mean you have three disc drives. The MTX-FDX has two physical disc drives, these are drive B and drive C. Drive A is a logical drive which can be set to drive B or drive C or any external drive depending upon the drive you boot from. For the time being please accept that drive A and drive B are the same drive. A more thorough explanation of the drives can be found in the section '**MTX special CP/M utilities.**'

The action of inserting your system disc into drive B and closing the door (providing your MTX-FDX is powered up), will automatically load CP/M into your computer's memory. Not all of the disc contents will be loaded into memory, only that part of the disc immediately required by CP/M will be loaded. Utility programs will only be loaded when called by the user.

CP/M enters your computer's memory in a few seconds and starts automatically. To tell you all is well your console displays the sign on message '**MTX CP/M 2.2**' etc, already shown above.

The first line is the sign on, CP/M's way of saying hello. The following lines show the Disc Configuration Status. The Free Space Pointer defines the highest address used by CP/M. The Top Of Available Memory Pointer indicates the lowest byte required for certain essential routines which are loaded above CP/M in high memory.

Points to note when using floppy discs:

1 The floppy disc is a very convenient storage medium and will remain reliable as long as it is treated with care.

- A Do not touch the magnetic surface
- B Always replace in protective sleeve after use
- C Do not bend or fold
- D Do not write on disc label with pencil or biro – use a felt tip pen
- E Do not switch off power with discs still in the drives

2 **Insertion.** Insert the discs with the read/write slot towards the opening and the write protect notch on the left hand side as illustrated.

3 **Write protect notch.** If the write protect notch is left open then the disc may be written to and read from. If the write protect notch is covered with one of the silver tabs provided then the disc cannot be written to. Note that the system disc provided with the MTX-FDX is write protected.

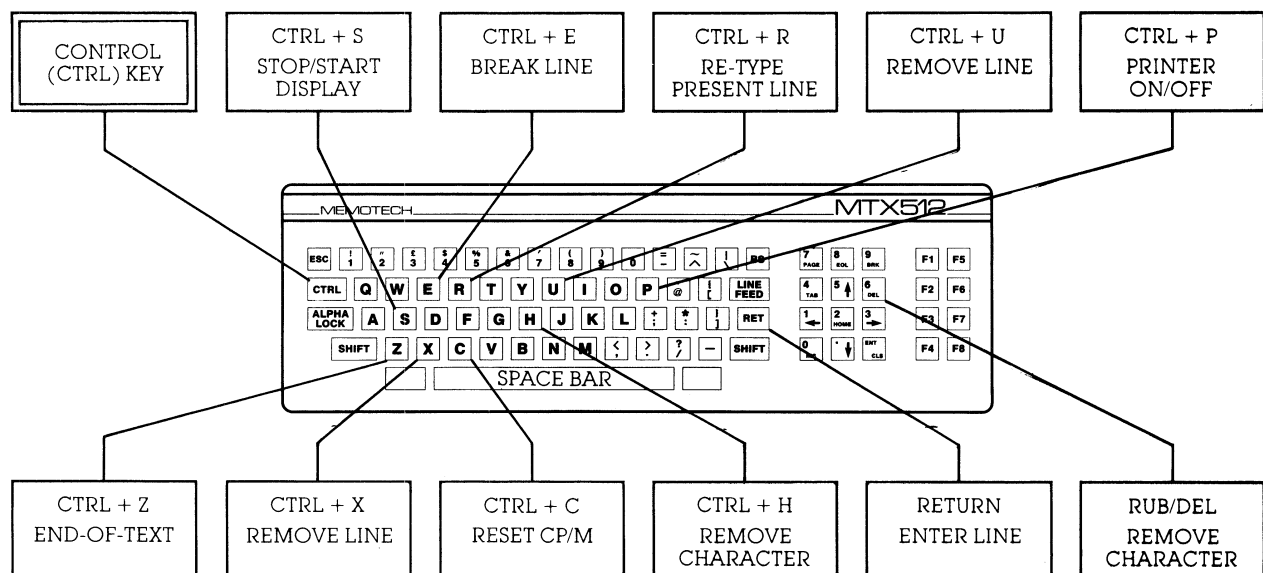
4 **Back ups.** As the floppy disc is a vulnerable recording medium it is important to make copies or 'backups' of your discs to protect you from loss or damage. If regular backups are not made loss or damage to discs may mean the repetition of hours of work.

Now that the MTX-FDX has been set up correctly it is time to start getting to know your system. The disc operating system or DOS used by the MTX-FDX is CP/M. Many computers use CPM, and therefore, there are many programs available to run on your computer. The following sections will guide you through CP/M, and will educate you in the use of your MTX-FDX.

You normally tell CP/M what to do by typing a command at the keyboard. Now don't get nervous – you can't do any damage by making a mistake. The most you can do is confuse CP/M. Then it will repeat your command followed by a question mark.

You may type using upper or lower case characters, CP/M automatically converts each to upper case for its own use. As you type, the letters and numbers you enter are shown on the display. If you make a mistake, merely press the back space or delete key. If you want to remove the whole line that you have just typed hold down the control key and press X.

Pressing control along with other keys will provide many other useful functions, they are shown here, but you will see how they are used later.



When you have typed in a command, it is entered by pressing the return key. CP/M will then perform the action you have requested.

Okay, your fingers are itching to type in a command, but where do you start? You have a choice. You could ask CP/M to run one of the programs on the disc (as you will see later), but, more likely, you will first want to use one of CP/M's built in commands. Here's what they are and how they work.

Before experimenting with the various CP/M commands it is advisable to make a copy of your system disc. To do this simply follow the instructions listed below. They will be explained later in the manual.

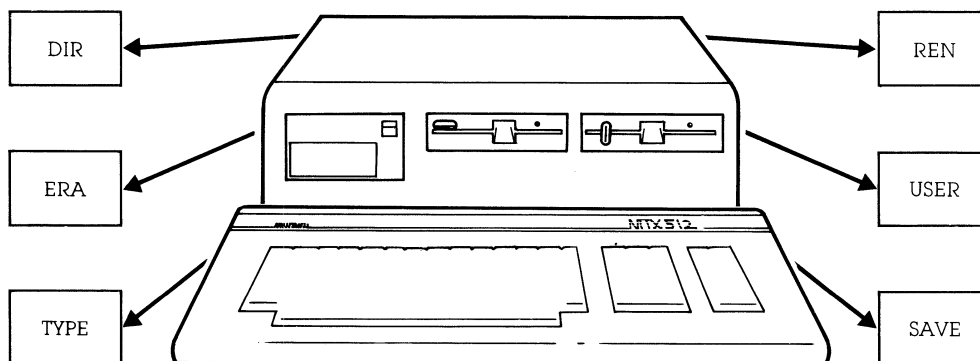
- 1 Insert system disc in drive B:
- 2 Insert a blank disc into drive C:
- 3 Type 'FORMAT C:'
- 4 Press the return key in response to the message
Ready to format the disc in drive C:?
Type CR to go ahead or ^C to abort
- 5 Type 'SYSCOPY C:'
- 6 Type 'PIP C:= *.*'

When the computer has finished copying all the files to the new disc remove the disc from drive C, and put a label on it i.e. SYSTEM.BAK (to indicate it is a backup)

Now remove the disc from drive B and put it away in a safe place. Insert your backup disc into drive B and type 'DIR', as you can see, the files are the same as on your original system disc.

Now you can continue experimenting with CP/M without any fear of damaging your precious system disc.

Chapter Four : Built-in Commands



When CP/M enters your computer, it is instantly ready to accept any one of six commands. This section will cover how each of these commands are used – but first, here's a quick look at what they are and what they do:

Command	The result
DIR filename (optional)	directory of disc
ERA filename	erase a file
TYPE filename	type file contents
REN new=old	rename a file
USER number	user number change
SAVE b filename	save a new file (advanced command)

Each command is typed on the keyboard and followed by pressing the return key. Most, however, require that you also specify a particular 'filename.' This is the name given to each filed program or group of data – saved on the disc.

You may have lots of files on a disc or you may have just a few. But every file has a different name – so you and CP/M can tell them apart. To see what the names are, you begin by using the DIR command.

DIR – Looking at filenames (directory)

Format: DIR
DIR NAME.TYP

Each program or group of data on a disc is held in its own individual 'file'. And, so you and CP/M can tell one from the other, each file is given a specific name. The DIR command is used for displaying the list – the directory – of filenames on the disc. After the A> prompt, you type:

A>DIR

followed by a RETURN. This tells CP/M you'd like to see the names of all programs and data presently on the disc. Depending upon the files currently on the disc you're using, the result will appear on your console somewhat like this:

The A: in the left column tells you that drive A is presently being shown. (The bottom A> is the prompt for your next command.) The words you see are the names of each file contained on the disc. No two files will have the same name on the same disc.

Each filename is made up of two words, such as DUMP and COM. The first word is the file 'name' and can be up to eight characters long. The second word is the file 'type,' and it may be up to three characters long.

While the file name may be virtually anything, the file type usually describes the kind of data the file contains – such as TXT for the text of letters or VAL for the values in number tables. The COM file type is the most common. It stands for 'command' file – that merely means it is a program that may be run by your computer. (You'll see how to start a program file a little later.)

Eventually, as you add programs and data to a disc, the directory display becomes cluttered with various names – it then becomes tedious to look for just the file you want. But there is an easy way:

Suppose you want to check the directory for a particular file on the disc. The DIR command, in addition to the filename, will tell you if it's there. For example, type

```
A>DIR DUMP.COM
```

and you have asked to see a directory of a specific filename. The fullstop, '.', is used in your command to separate the file name from the file type. The result is

```
A>DIR DUMP.COM
A: DUMP    COM
A>
```

on the console, if the file does indeed exist. If not, CP/M will display the words 'NO FILE' on your screen.

Can't find the file you want? Maybe it's not there or maybe you've forgotten its exact spelling and the DIR command can't find a match. Don't give up – here's another way to look for files:

Finding groups of files with DIR

Whenever you add a filename to the DIR command, you are asking CP/M to try and match every character you've typed. But you can make your request a lot less specific to make CP/M search for more than one filename at a time. That allows you to check for entire groups of files – all letters you've written, perhaps, or all files that contain numerical data.

It's done by using asterisks, '*', and question marks, '?', within the filename you give. The asterisk can be used in place of an entire file name or file type. The question mark can take the place of any character in the filename.

Wherever used, these characters tell CP/M that a match is not necessary in these positions. Only the characters in the remaining positions are checked.

For example, suppose you'd like to see a directory of all files that have a VAL file type. Give the command:

```
A>DIR *.VAL
```

Since the asterisk is used in place of a file name, any file name is acceptable for a match. Only the file type, VAL, will be checked. The result could be all your income tax files for the past few months:

```
A>DIR *.VAL
A: JAN      VAL : FEB      VAL : MAR      VAL : APR      VAL
A: MAY      VAL : JUN      VAL : JUL      VAL : AUG      VAL
A>
```

Or, you can use the asterisk in the file type you specify:

```
A>DIR JAN.*
```

will find all files with a JAN file name, regardless of their file type. That could result in:

```
A>DIR JAN.*
```

```
A: JAN      VAL : JAN      TXT : JAN      MEM
A>
```

all the JAN files – in this case, the values you used for your income tax (JAN.VAL), the text of the letter you wrote to the Inland Revenue to explain it (JAN.TXT), and the memo to your lawyer (JAN.MEM) asking him to explain it.

Just as the asterisk allows any file name or type to be accepted, you can use the question mark to substitute for any character in the filename. You may use as many as you wish, and anywhere you wish. The position in which they're used simply isn't checked for a match. For example

```
A>DIR J?N.VAL
```

asks for a directory of files with a three-letter file name that starts with the letter J and ends with N. The middle letter can be anything. The file type must be VAL. Result:

```
A>DIR J?N.VAL
```

```
A: JAN      VAL : JUN      VAL
```

```
A>
```

Only the JAN.VAL and JUN.VAL files are displayed since they are the only two that match your request.

You can also mix the asterisks and question marks in your specification. For instance

```
A>DIR J?N.*
```

again asks for all files with a three-letter file name that starts with J and ends with N. But this time, because an asterisk is used, the file type is not important. Or, to be even less specific, you could type:

```
A>DIR J??.*
```

for all files with a three-letter (or less) file name that start with the letter J.

Depending upon how you use the DIR command, it will show all or any particular group of files contained on a disc. It allows you to instantly locate all the important – and, not so important – files on the disc. The important ones you keep; the next section, erasing a file, explains what you can do about the others.

The only file the DIR command will not display is the CP/M program. That's because CP/M is kept in its own special area of the disc.

ERA – Erasing a file from disc

Format: ERA FILENAME.TYP

Eventually, there will be a time when you want to erase files from a disc. You may want to eliminate old programs or data you never use. When erased, the space taken by these files is made available for future files.

The ERA command requires that you specify a filename. For example:

```
A>ERA MOTHER.LET
```

will remove the letter you wrote to mom. As before, the file name and type are separated by the fullstop. CP/M will not indicate that the file has been erased. But if you're the nervous type, use the directory command (DIR) to be sure the file has been removed.

If you try to erase a file that doesn't exist, CP/M will respond with

```
NO FILE
A>
```

You can remove more than one file at a time by using the asterisk or question mark in the name you've specified. All files that match your request will be erased. For example:

```
A>ERA JUNK.*
```

erases all files named JUNK regardless of their file type. Or if you type

```
A>ERA J??K.TXT
```

all text (TXT) files with a four-letter file name that start with J and end with K will be removed.

Naturally, when using the question marks or asterisks be sure you don't accidentally erase a good file simply because it too is a match. Once you erase a file, it cannot normally be restored. (A special 'UNERASE' program is required to restore an erased file, but it is not included with CP/M.) For that reason, if you ask for all the files to be removed with the command

```
A>ERA *.*
```

CP/M will check to be sure this is really what you want. On the console you'll see

```
A>ERA *.*
ALL (Y/N)?N
```

If you type 'Y' for yes, all the files will be removed. But, if you've made a mistake, simply type a 'N' for no. Then CP/M will forgive you and merely display a new prompt. No files will be erased.

Finally, there is just one situation that will prevent files from being removed: you have purposely asked CP/M to protect them from accidental erasure. (Certain files or an entire disc may be protected.) This is done with the STAT utility program (described later) and CP/M will warn you with an error message if this occurs.

You don't know if you want the file erased or not? Then take a look to see what's in it. You can do that with the next command.

TYPE – Typing a file

Format: *TYPE FILENAME.TYP*

The TYPE command displays the contents of a file on the console. You can use it as a quick way to show the contents of a letter, for example, or perhaps to display the raw numbers used by another program.

There are two rules for using this command, however. First, the complete filename must be specified. The asterisks and question marks won't work. And second, only files that contain textual information (conventional letters and numbers) can be displayed. (Other kinds of files can be specified, but since they contain program information only usable by the computer, they produce gibberish on the console.) The command is used with a specific filename as in:

```
A>TYPE ABE.LET
```

If the file ABE.LET exists on the disc, you will instantly see the text of the letter you wrote to Abe on the console:

```
Dear Abe,
```

```
As your agent, I would like to  
apologise for the mix-up in your  
last travel arrangements.
```

```
Yours Sincerely  
G.Lee
```

On long files, the contents will continue to the bottom of your screen and move up (scroll) one line at a time until the file ends. You can temporarily stop and start the display scrolling (so you can read it without a speed-reading course) by pressing CONTROL and alternately pressing the S key. Or, you can prematurely end the file display by pressing any other key on the keyboard.

You may also print the file on paper if a printer is attached to your system. To do it, press the CONTROL and P keys before finishing your command with a RETURN. From then on, everything you see on the console will also be printed on paper. To stop the printer from duplicating the console display, merely press the CONTROL and P keys once again.

REN – Renaming a file

Format: *REN NEW.TYP=OLD.TYP*

As your library of program and data files grows, their filenames become more important. Similar names on related data can be helpful, for example. But similar names on unrelated files can become confusing. To help you organize your files, there is the Rename command. It allows you to give an old file a new name – without changing its contents.

The Rename command is used with the new filename set equal to the old filename as in

```
A>REN NEW.TXT=OLD.LET
```

In this, the file called OLD.LET will be changed to NEW.TXT. The new name is always specified first, followed by an equal sign, '=', and old filename. If you forget which name goes first, think of the command as 'let new=old.'

The old file name and type must be specified completely – no asterisks or question marks. The new file name can be up to eight characters long. The file type is optional, but up to three characters can be used. You can use any standard character or number except for a space and

```
< > . , ; : = ? * ( )
```

These characters, such as '*' and '?' as you've seen, are reserved for special meanings. (Others will be shown later.)

There are only two mistakes you can make using the Rename command – and CP/M is ready for both of them. If you try to rename a file that doesn't exist, the console will display

```
NO FILE
A>
```

And if you try to give an old file a name that already exists on the disc, you'll see

```
FILE EXISTS
A>
```

You could, however, rename a file on one disc that matches the name of another totally different file on a second disc. That could cause confusion in the future. For that reason, it's wise to keep a log of all the filenames you create or change.

USER – Changing users

Format: USER number

In computer terms, you're called a 'User'. (Rather impersonal, but it's to the point.) And, when CP/M is first entered into your computer, it assumes that User number 0 is in control. You can run programs, save data, rename files – all the things CP/M is capable of doing.

But now your brother wants to use the computer. He wants to use the same disc, but he also wants to create and use his own library of programs or data. To do it, he merely types

```
A>USER 1
```

and CP/M will again respond with a new A> prompt. The difference, however, is that all your files become inactive and only the files he creates will be in use. (Your files are still on the disc, but merely stored in the User 0 section.) All programs and data he saves will be put in the User 1 area, and, if he asks for a directory with the DIR command, only his files will be displayed.

Fine, but now your sister wants to 'compute.' And she too wants her own section of the disc. To do it, she types

```
A>USER 2
```

and CP/M again responds with another A> prompt. Now both your files and your brother's become inactive and only files she creates can be used.

You have a big family? No problem. The User command will accept up to 15 different users – provided there's room on the disc. (You'll see how to check remaining disc space later.) Remember, the disc space has not been increased, only shared by many people.

You can change the User number at any time. Re-entering CP/M, as when first turning on the power to the computer or pressing the RESET button, will automatically reset the system to User number '0'.

SAVE – Advanced command to save data

Format: *SAVE b FILENAME.TYP*

Usually files are automatically created – saved – on the disc by outside programs. (Editors create text files, for example, or a spread-sheet program will save all the numbers you need.) But for more advanced programming, CP/M allows you to save a file directly with its Save command. (For normal CP/M operations, this command is seldom used.)

The command is used with a file length specification followed by a file name and optional file type. For instance:

```
A>SAVE 4 HELP.ME
```

will save four 'blocks' of data presently residing in memory. The file will have HELP as a name and ME as a file type assigned to it.

To determine the number of blocks you'll need, merely multiply the size of the file you're about to save by four. A 2K file (remember a 'K' is one thousand bytes) will require eight blocks to save it (2×4); a 15K file needs 60 blocks (15×4); a 30K file will need 120 blocks (30×4). The value of four is used simply because CP/M uses four blocks to save every 1K.

To save a 20K file, for example, your command is

```
A>SAVE 80 FILENAME.TYP
```

As in the RENAME command, the file name can be up to eight characters long. The file type is optional, but up to three characters can be used. And as before, you can use any standard character or number except for a space and

```
> . , ; : = ? * ( )
```

Be careful when making up the filename for the save command, however. If the file already exists, CP/M will not warn you –

IT WILL REPLACE THE EXISTING FILE WITH THE NEW ONE JUST SAVED.

While this is fine if you are updating an old program, it would be disastrous if a different program exists on the disc with the same name.

The largest numbers of blocks you can save is 255. If you specify more, CP/M will merely repeat the number with a question mark on the console and no data will be saved.

There is also a limit on how much data the disc can contain – and another limit on how many filenames the directory can hold. Both values will depend upon your disc system. If you exceed either while trying to save a file, you'll see

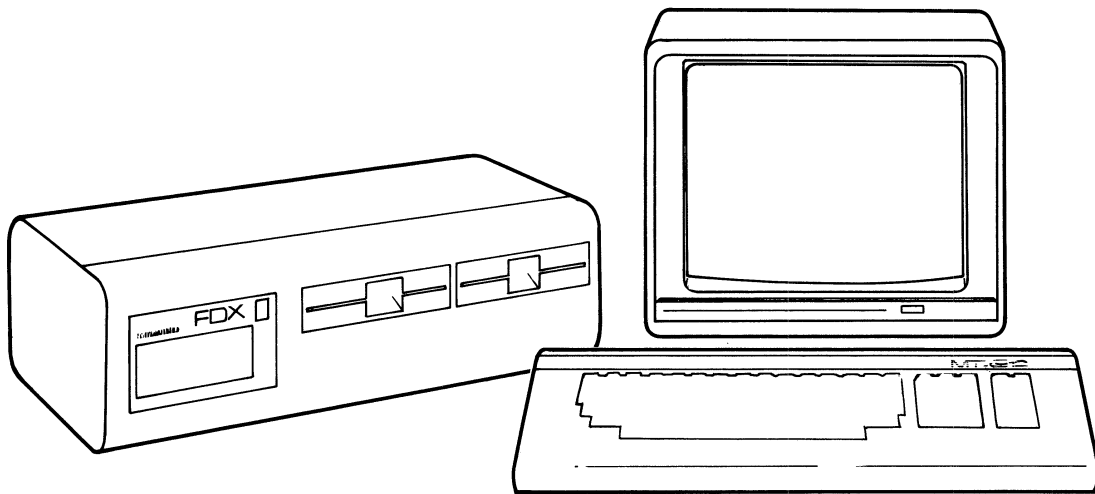
```
NO SPACE
```

```
A>
```

and, unfortunately, only part of your file will be saved.

The good part about seeing the NO SPACE message is that you get to try out the ERASE command to make more room on the disc. Or, if you are using a floppy disc, you can replace it with an empty one. But, if you replace a disc, be sure to press the CONTROL and C keys before you try to save the data again. This tells CP/M a new disc is in use. (More on this later in the **Changing Discs and Drives** section.)

Chapter Five : Running a Program



Each time you type on the console, CP/M first checks to see if your entry is one of the previous built-in commands. If it's not, CP/M knows you want to run a program on the disc.

Each program, of course, is saved on the disc as a file. The file name may be anything: EDITOR, for a text editor program for example, or maybe OTHELLO for a game. The file type, however, must be 'COM' (for command). CP/M only accepts a COM file type as a directly executable program. To start a program, you merely type its file name, as in

```
A>OTHELLO
```

The file name must be exact – no question marks or asterisks. But the file type is not used since COM is assumed.

After typing its name and RETURN, CP/M looks for the program on the disc. If it's not found, you'll merely see the filename and a question mark displayed on the console.

When found, the program is immediately entered into your computer and started. From then on, the commands you use will depend on the instructions supplied with that program.

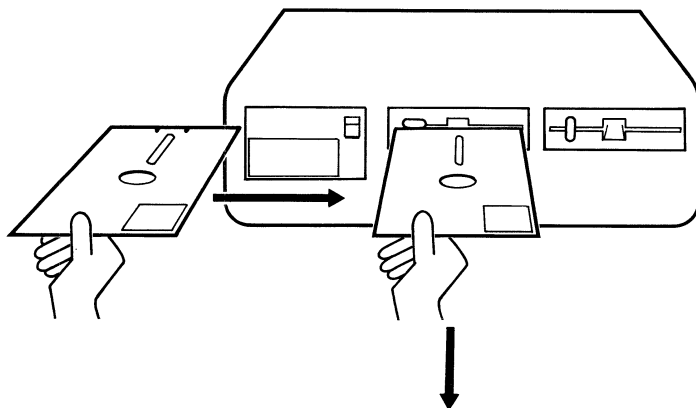
Some programs, such as a text editor, may require an additional filename to be specified. (The instructions with the program should tell you.) If so, merely add the filename to your command separated by a single space. For example:

```
A>EDITOR BUDGET.TXT
```

will enter a text editor called EDITOR into your computer and it will use a second file called BUDGET.TXT to save or retrieve all the words you've written.

Great, but what happens when the program you want is on another disc? That's no problem – and that's in the next section: **Changing Discs and Drives.**

Chapter Six : Changing Discs and Drives



Often you'll need data or a program on a disc not presently in use. You have two choices: replace the present disc with the one you need, or place the new disc in another drive. Either is a simple chore – once you know how.

When you first turn on your computer, two things happen: CP/M is entered from drive A and the disc is 'mapped.' Mapping merely means CP/M has done its own internal directory of the disc – it knows where the files are located and how large they are.

But suppose the program you'd like to use is on another disc? Naturally, on a floppy-disc system, you can remove the present disc and replace it with the one you need. Simple – but remember, CP/M has the first disc mapped in its memory.

The cure, however, is to tell CP/M you've changed discs. To do it, merely press the CONTROL and C keys. When you do, the new disc will start and you will see

A>^C

The '^' (called a caret) indicates that the letter which follows was typed with the CONTROL key pressed.

This is called a 'warm boot' and it makes CP/M re-enter some of its original programming information from the new disc in drive A and remap it. (Which means that whenever you press CONTROL and C, the disc in drive A must contain a copy of CP/M. You'll see how to put CP/M on a disc in the section on SYSCOPY to come later.)

You only need to remap a new disc once – and when done (the disc spins for a second), you may continue normally.

If you don't type CONTROL and C, you will still be able to do a directory or even run a program since CP/M can find the information it needs from the new disc. But there are dire consequences if you try to save data (either directly with the Save command or indirectly through another program), since you have managed to confuse CP/M by switching discs and not telling it ...

GOOD FILES CAN BE ERASED OR HAVE THEIR CONTENTS CHANGED

For this reason, always type CONTROL and C after changing a disc, unless specifically asked not to by a program you are using. (Disc-copying programs, for example, request that you change discs without doing a 'warm boot.' These programs, however, internally ask CP/M to map the disc.)

All this is fine if you wish to use only one disc drive. But if you own more, a new disc can be placed on one of those, as well. But to use it, you'll have to tell CP/M your plans:

Changing drives

The disc drives are the physical units used to accept your discs. You may have one drive in your system – you may have 2 or more. Each, however, is assigned a drive letter.

The drive used to originally start your system, is drive B (logical drive A). It is the present 'active' (or 'logged-in') drive. The remaining drive is lettered C.

If you place a program disc in drive C, for example, you now must tell CP/M where it is before it can be used. That can be done in two ways.

The first is to make the new drive you wish to use the 'active' drive. To make drive C active, for example, simply type

```
A>C:
```

followed by a RETURN. The colon tells CP/M that the letter preceding it is a drive specification. (Otherwise, without the colon, CP/M will assume you want to run a program called 'C'.) CP/M will respond with

```
C>
```

Look familiar? It is the same prompt as before (A>) except the A has been replaced with C. You are now 'logged-in' on drive C. You may perform all the built-in commands or run a program on disc as before – but CP/M will now use drive C as the source. (The first time you change to another drive, CP/M will map it. If you change discs after that, however, remember to have it remapped by pressing CONTROL and C.)

Any drive may be selected by merely typing its letter and a colon. You can return to drive A if you wish by typing A:. Each time you change the drive, CP/M will respond with a new prompt.

The only problem you can possibly create is by asking for a drive that does not exist.

Another way

The second way you can use a program on another drive is to precede the program or data you want with the drive letter on which it's to be found. For example:

```
A>C:EDITOR
```

will tell CP/M to go to drive C and run a program called EDITOR. The difference here, however, is that drive C is not made the active drive – it is merely the temporary source of the program. Any data saved by the EDITOR program will be saved on the active disc which, in this case, is still drive A.

CP/M's built-in commands work similarly. For example:

```
A>DIR C:
```

will show all the files on the disc in drive C. The result may be

```
A>DIR C:
C: PIP          COM : FORMAT    COM : CONFIG    COM : TECHREP1  BAK
C: TECHREP1    DOC : WSMSGs    OVR : WSOVLY1  OVR : WSINSTAL  BAK
C: WS          COM : WSINSTAL  COM : CONRAID   BAK : MTXPAY    BAK
C: MTXA/C      COV : MTXPAY    DOC : CONRAID   SNA : MSSGE
C: STAT        COM : SCREENS   FDX
A>
```

The C: on the left tells you the directory is of disc-drive C, but the A> prompt that follows shows that drive A is still active.

Similarly, to display only one or a group of files on another disc, a filename may be added. The asterisk and question mark may also be included. For instance:

```
A>DIR C: *.TXT
```

will display all files with a TXT file type presently on the disc in drive C. But once done, the active drive remains A.

You may also type, erase, rename, and save files on another disc. In each case, the disc-drive letter merely precedes the filename and tells CP/M to temporarily change drives before executing. When your command is completed, CP/M always returns to the active drive:

A>TYPE C:LETTER.TXT

Type LETTER.TXT file on drive C. (Active drive is A.)

C>ERA B:*.LET

Erase all files with the LET file type on drive B. (Active drive is C.)

C>REN B:NEW.TYP=OLD.TYP

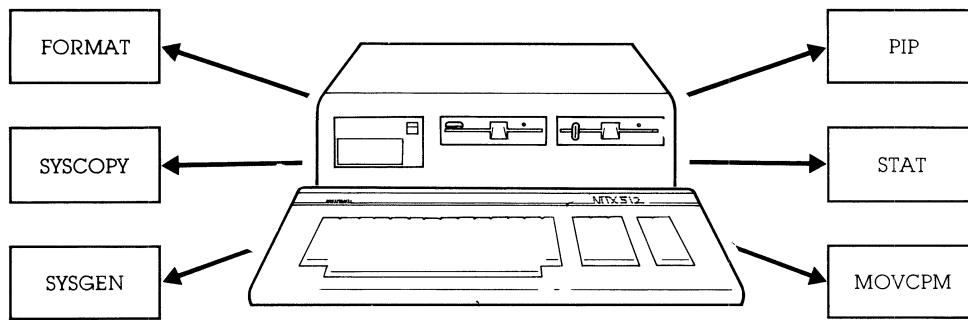
Rename OLD.TYP file to NEW.TYP on drive B. (Active drive is C.)

C>SAVE 10 B:PROGRAM

Save 10 blocks on drive B and call the file PROGRAM. (Active drive is C.)

All of these commands will be performed on another drive. But when the action is complete, CP/M will return to the active drive and display its letter with the > prompt.

Chapter Seven : CP/M Utility Programs



CP/M comes with a number of 'utility' programs. These programs are just like any other you run on your system, except they are specifically written to help you use CP/M – and your computer – more efficiently.

Although some have unique applications and are provided for computer programmers (these programs are covered later), many are for general use: they'll help you prepare a new disc to accept data, for example, or they'll make copies of CP/M and your programs.

Here are the names of the general utility programs and a brief summary of what they do:

- FORMAT** Format a disc – prepares a new disc to accept data. You'll use this program first to remove random data from the disc (caused by the manufacturing process) and to set the disc to run on your MTX-FDX.
- SYSCOPY** System generation – copies the CP/M program onto another disc. (No files are affected.) The disc can then be used in drive B: to start your system.
- PIP** Peripheral Interchange Program – is often used to copy individual files from one disc to another. You can create a 'master' disc, for example, that contains all your standard programs. PIP can also exchange data between peripherals attached to your system or change data as it is copied.
- STAT** Status of system – displays the present status of disc files and peripherals. It can show the size of files, for example, or tell you how much space is left on the disc. It can also change the status of files and peripherals for special uses.
- MOVCPM** Move CP/M – moves CP/M so it may use additional memory you've installed in your computer.
- WRTCPM** Writes the CCP and BDOS section of CP/M 2.2 on to the Bootstrap area of the disc in drive specified.
- WRTBIOS** Writes the custom BIOS and the COLD-START loader section of CP/M 2.2 on the Bootstrap area of disc in drive specified.

The order in which you use these programs will, of course, depend upon what you wish to do. Often, however, they are used in a particular sequence to perform three routine jobs: make a backup copy of your CP/M disc, make a backup copy of a new program disc you just bought, or make a general disc of various programs you use everyday.

While the sections to come explain exactly how to use these programs, here's a quick look at the order in which they may be used to complete these three basic functions:

Make a backup copy of your CP/M disc

- 1 Use FORMAT to prepare a new disc to accept programs.
- 2 Use PIP *.* to copy the entire original CP/M disc onto the empty disc.

Copy a new program disc

- 1 Use FORMAT to prepare a new disc to accept programs.
- 2 Use PIP *.* to copy the entire new program disc onto the empty disc.

- 3 Use SYSCOPY to copy CP/M onto the disc so it may be used in drive A to start your system. (Since a new program disc you buy does not contain CP/M, it will not have been copied onto the empty disc.)

Create a general disc for everyday use

- 1 Use FORMAT to prepare a new disc to accept programs.
- 2 Use SYSCOPY to copy CP/M onto the disc so it may be used in drive B: to start your system.
- 3 Use PIP to copy individual programs from other discs onto this empty one.

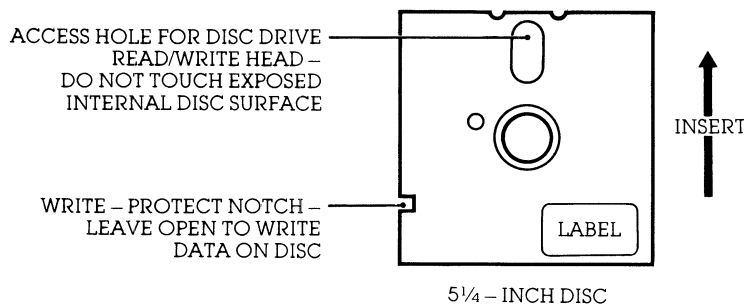
In the sections to follow, you'll see exactly how each of these utility programs is used – and you'll see what other jobs they can do for you.

As with any program, the utility you want can be started by merely typing its file name on the command line, followed by a RETURN. Utilities that work on a disc file require its name in the command line as well. Here are the details...

FORMAT

Preparing a new disc

– FORMAT



When you buy a fresh new disc, it may not be 'empty'. No, it won't have a program on it, but it may contain random data from the manufacturing process or it may be pre-set to run on a specific system. To empty the disc and prepare it to accept data, you use a formatting utility called format.

The FORMAT program fills all areas of the new disc with a character CP/M recognises as 'empty'. To begin, however, the disc must be physically prepared to accept the initializing data.

Write Protect

On 5 1/4" floppys discs you will find a notch cut into the left hand edge (see diagram above). This is called the Write Protect Notch.

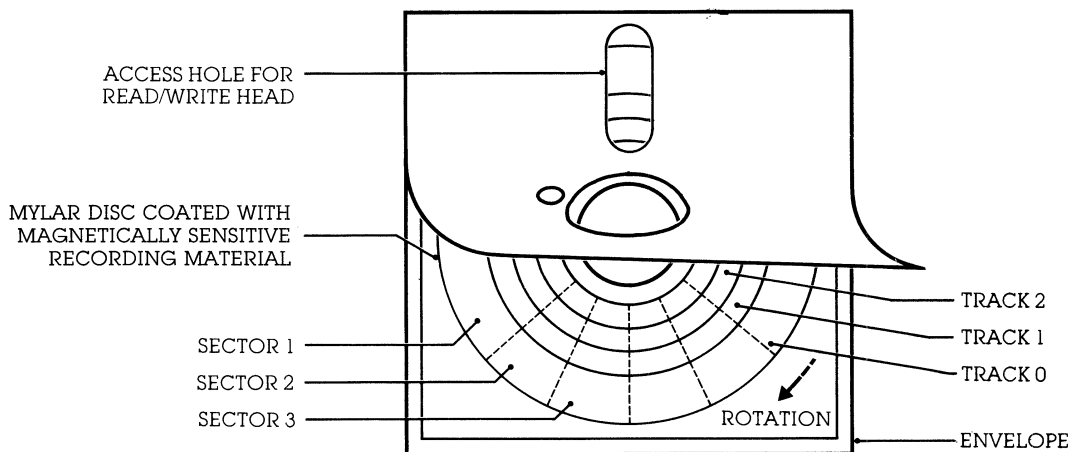
When the notch is covered, the disc is write protected and it will not accept data. But when the notch is open (as it usually is when the disc is new), the FORMAT program can be used.

Once you have prepared the disc to accept initialising data, FORMAT can go to work.

What FORMAT does to your disc

FORMAT is actually recording a character (an 'E5' in computer code) throughout the disc that CP/M later recognizes as an 'empty' spot. The characters are recorded together in small groups, called 'sectors,' and sectors are recorded end-to-end in concentric circles around the disc in 'tracks.' In this way, CP/M will later know where to save – and retrieve – your data by merely going to a particular sector and track number.

SECTORS AND TRACKS ON A DISC



The distance between each empty character placed on the disc is carefully controlled by **FORMAT**. The denser the characters, naturally, the more data the disc will eventually be able to hold.

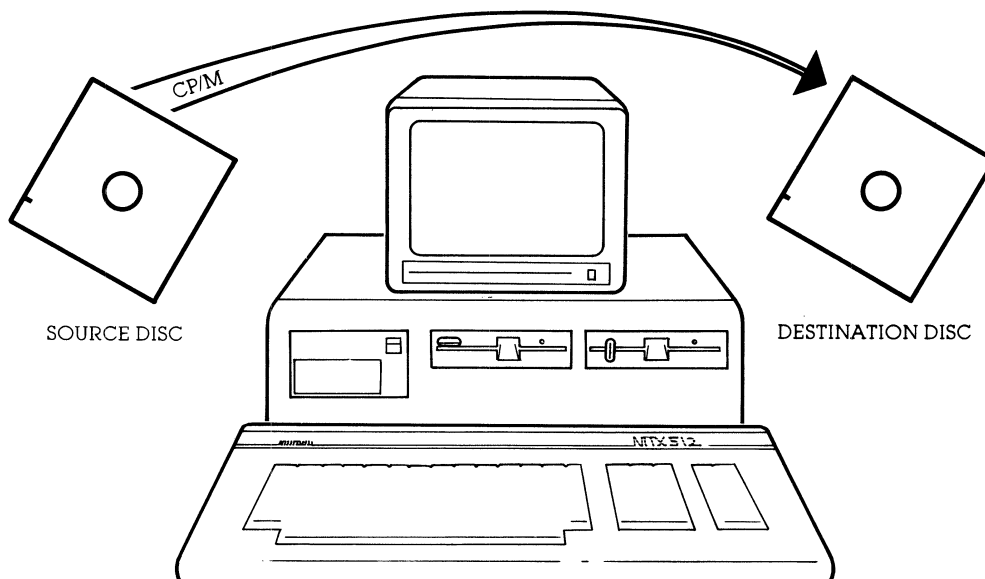
RUNNING FORMAT

FORMAT d:

This command formats the disc in drive d. No writing is done until confirmation of the command is received and its validity checked. The 'd' must be an actual physical drive, ie B,C,D,E,F,G,H or I. **FORMAT** generates the appropriate sector interleave pattern, optimised for the current drive configuration. Type 10 drives (8 inch S/S,S/D) are always IBM compatible but other configuration types may not retain compatibility across controller types – ie prom version numbers.

SYSCOPY

Copying CP/M



Any disc in your library can be used to initially start your system. But, naturally, there's a catch – the disc must contain a copy of CP/M. You can place CP/M on any disc you wish with the SYSCOPY utility program.

SYSCOPY records CP/M onto its own special place on the disc called the 'system tracks.' These are simply the first two recording areas (created by the FORMAT program) on the disc.

This area is reserved for the CP/M program only – other files cannot use it. That means you can place CP/M on a disc at any time – just after the disc is formatted or later, after it is filled with files. You can also use SYSCOPY to replace the present CP/M program on a disc with a newer, updated version.

SYSCOPY d_d :<= d_s >

This command initiates a simple copy of the bootstrap area from a specified source disc d_s , (or the currently-logged disc if omitted) to that of the specified destination disc d_d . If a new startup command or configuration default is required, different to that of the source disc, it will be necessary to perform a STARTUP operation. Note that if d_d and d_s are the same then a pause, prior to writing, is generated to allow the user to change discs before typing CR in response to the prompt.

PIP

WHAT IS PIP?

One of the most powerful utility programs you own is PIP – the Peripheral Interchange Program.

PIP can copy individual files – one at a time, or many at once. That allows you to place many different programs from a variety of sources onto a single disc.

But copying files from one disc to another is just part of PIP's abilities. It can also exchange data between peripheral devices – or change data during the copying process.

You can use the PIP program in two ways. The first is to type its file name along with your command:

```
A>PIP your command here
```

With this, PIP will enter memory, execute a command, and return to CP/M. This is used when only one PIP operation is needed.

To perform many operations, however, it's faster to keep PIP in memory (so you don't have to wait for it to enter memory for each command). You start this second command form by typing just

```
A>PIP
```

followed by a RETURN. When you do, you'll see the PIP '*' prompt:

```
A>
A>PIP
*
```

You may now enter your command on the line, followed by a RETURN. It will be carried out, but you will not return to CP/M. Instead, PIP remains in memory and you'll see another * prompt for another command on the next line:

```
A>PIP
*command 1
*command 2
*
```

When you're through, you can exit PIP and return to CP/M by pressing just the RETURN key (entering an empty line).

The first command form is the most common – it will be used in the examples that follow. But in all cases, either form will work.

Naturally, the commands you use will determine the job PIP will perform. And in the major sections to come – covering PIP's copying commands and PIP's special commands – you'll see how it can be used in a variety of ways.

USING PIP TO COPY DISC FILES

PIP's most useful function is to make copies of disc files. You can make a backup file of an original on the same disc or you can copy a file – or group of files – on another disc.

The new file you wish PIP to create is always specified first. It's directly followed by an equal sign, '=', (no spaces) and the old file you'd like copied. (Think of the command as 'let NEW=OLD.')

The basic command is

```
A>PIP NEW.TYP=OLD.TYP
```

When drive letters are not specified, the active drive, the one that appears in the prompt, is assumed. Here, a file called NEW.TYP will be created on the disc in drive A and it will contain the same information as the OLD.TYP file on drive A. This is useful for making backup copies of a file on a single disc. (If NEW.TYP already existed on the disc, it will be replaced by this latest version.)

Most often, however, you'll want to copy a file from one disc to another. To do it, add the drive letter and a colon (:) before the name:

```
A>PIP C:NEW.TYP=OLD.TYP
```

As before, a file called NEW.TYP will be created. But since the drive letter (C:) was specified, the new file will be on the disc in drive C. The file will be identical to the OLD.TYP on the active drive (A).

By adding other drive specifications, you can copy a file from one disc to any other. For example:

```
A>PIP C:NEW.TYP=B:OLD.TYP
```

Here, the new file will be created on drive C, and it will be identical to the old file on drive B.

Just as PIP assumes the active drive if you leave out a drive specification, the program can assume more. If you merely specify the destination drive letter and leave out the filename as in

```
A>PIP C:=OLD.TYP
```

then PIP will assume you wish the new copy to have the same name as the original. In this case, PIP will create a file called OLD.TYP on drive C and it will contain the same information as the original OLD.TYP file on drive A.

Similarly, one of the more powerful ways to use PIP is to include the asterisks (*) or question marks (?) in the filename you specify. All files that match your specification will be copied – and that allows more than one file to be copied with one command. For instance:

```
A>PIP C:=*.TXT
```

instructs PIP to copy all files with the TXT file type on the disc in the active drive (A) to the disc in drive C. The filenames of the newly created files will be identical to the originals. (PIP will display each file on the console as it is copied.)

And to copy all the files from one disc to another, use the asterisks in both the file name and file type, as in

```
A>PIP C:=*.*
```

All files on the active drive's disc (A) will be copied to the disc in drive C under their original names.

Old files on the destination disc are not destroyed, PIP merely adds the new files from the source disc to the files already present on the destination disc.

Placing additional drives in your command makes PIP transfer all files from any disc to any other. For instance:

```
A>PIP B:=C: *.*
```

will copy all files from drive C to drive B.

Great! But what happens if there's a (gulp) power failure or any other technical interruption during these copying procedures? For safety, PIP automatically copies a file in two steps:

First, it creates a temporary file on the destination disc using the file name you've specified and a '\$\$\$' file type. The data from the original file is then copied to this file. If the transfer was successful (no power failures, earthquakes, etc.), the second step is done: the new temporary file is renamed to the new file name and file type you've specified.

If there were a power failure – or your kids decided to push the computer RESET button during the transfer – only the temporary file will lose the data. You simply use PIP again. But all this also means you'll need extra room on the destination disc (equal to the size of the file you are copying) for the temporary file. The STAT utility program, described later, will show how much space a file requires and how much room is left on the disc.

USING PIP TO COPY BETWEEN PERIPHERALS

While PIP is used most often to copy files between discs, it can also be used to exchange data between 'peripherals'.

Everything connected to your computer is a peripheral – from required devices, such as the disc drive and keyboard, to more elaborate add-ons, such as a modem for sending and receiving data over a phone line. PIP will allow you to exchange data between all peripherals attached to your system – and for a variety of tasks:

Have a disc file placed on paper by sending it to the printer. Type a quick memo on the keyboard and have PIP send it to the disc for saving – then read it later by asking PIP to show it on your console screen. Send data to a friend by using PIP to control a phone modem. Or receive data from a friend and have PIP put it on your console for viewing now – or on your printer for reading later.

Still using a typewriter for small jobs? With one command, PIP can turn your computer into an 'electronic' typewriter. Everything you type on the keyboard instantly goes to the printer.

To do all this and more, you use PIP as before except the name of the peripheral device you'd like to use is placed in your command. To make things simple, PIP accepts four major device names: CON:, LST:, RDR:, and PUN:. Here's what those names mean to PIP:

NAME MEANING

CON:	Console – The keyboard you use for entering data and the display (usually a video screen) you use for seeing the results.
LST:	List – The printer you use. (It 'lists' data.)
RDR:	Reader – Any auxiliary device that 'reads' data into your computer. This could be any device you've attached to your system, such as a modem. The data received over the phone line by the modem (from another computer) is read into your system.
PUN:	Punch – Any auxiliary device that 'punches out' data from your computer. This too can be any device you've attached to your system, such as a modem. The data sent to the modem from your computer is transmitted over the phone line.

You can use any of the four peripheral names in your command line to send or receive data. As before, you refer to a disc file by using its filename and optional drive letter. For example, to send a disc file to the printer, type

```
A>PIP LST:=FILENAME.TYP
```

and the printer (LST:) will receive the contents of the file you've specified. Don't forget the colon – without it, PIP will think you want to make a new file called 'LST'.

The receiving device is always specified first, followed by an equal sign (no spaces), and the source of the data. (The order is as before: 'let LST:=FILENAME.TYP'.)

With no drive letter specified, the default drive is used. But you can change that as in

```
A>PIP LST:=C:DOGS.DAT
```

Here, the data from a file on drive C will be placed on paper for future reference.

Similarly, you could send a file to your console screen for viewing by giving the command

```
A>PIP CON:=FILENAME.TYP
```

The console (CON:) receives the contents of the file you've given and displays it. As is, this command will give the same results as when using the built-in TYPE command. But later you'll see how PIP can be used this way to change the file before it's displayed. (Lines too wide for the video display can be automatically truncated, for example.)

By merely reversing the order of your command, you can make a disc file the receiving device. For instance, type

```
A>PIP FILENAME.TYP=CON:
```

and PIP will create the file you've specified and begin filling it with characters you type at the console keyboard (CON:). This is handy for writing quick memos to yourself. When you're through, merely press the CONTROL and Z keys (which produce an end-of-text computer code). PIP will get the

message and return you to the CP/M prompt. Later, when you're ready, use the TYPE command to display the memo on your console.

Often, disc files are not part of your command. Turn your computer into an electronic typewriter, for instance, with:

A>PIP LST:=CON:

The printer (LST:) will receive all characters typed on the console keyboard (CON:). (End it with CONTROL and Z keys.)

The Reader (RDR:) and Punch (PUN:) devices may be used as well, but these usually refer to an auxiliary connection on the rear of your computer: Whatever is plugged into the connector will be used when the RDR: or PUN: device names are used in your command. (The connector is called a 'port' and you'll have to check your computer technical manual to see how different devices may use it.)

If a modem is plugged into the auxiliary connector, for instance, and you wish to use it for receiving data from a friend over the phone line, give the command

A>PIP CON:=RDR:

and incoming information will be read in (RDR:) from the modem and displayed on the console screen (CON:). Or, to put the incoming data on your printer, type

A>PIP LST:=RDR:

and you can read it later. Then when you're ready to give a reply, use PIP again with the command

A>PIP PUN:=CON:

and all characters you type at your keyboard (CON:) will now be punched – sent – out to the modem for transmission over the phone to your friend.

Or if you're clever – and have an answer for everything – store your pre-planned replies on disc. Then send the one you need by specifying its filename as in

A>PIP PUN:=SCRAM.TXT

and your friend receives the contents of your carefully worded disc file.

Disc files of text may be exchanged this way with PIP. The file can be sent over a modem to a remote computer or you could connect the two computers directly together through their rear auxiliary connectors. (Your computer dealer or local electronics shop can supply the necessary cable.)

To ready the computer that is to receive the file, you use the command

A>PIP FILENAME.TYP=RDR:

And to send the file from the second computer, type

A>PIP PUN:=FILENAME.TYP

The file you've specified in this command will be sent – character-by-character – to the Punch (PUN:) output of the sending computer, through the connecting wires (or modem), and into the Reader (RDR:) input of the receiving computer. It will then be placed in the disc file specified in the receiving PIP command.

Whenever you are exchanging data between peripherals (other than disc-to-disc drives or keyboard-to-disc), the process can be immediately stopped by touching any key on the keyboard. When you do, PIP will tell you it is aborting its present command.

PIP will also tell you if you've made a mistake in your command. You can't, for example, ask to receive data from the printer or send data to the Reader device. PIP will re-display your request and tell you it is invalid.

Although PIP normally associates the console, printer, and auxiliary connector of your computer with CON:, LST:, RDR:, and PUN:, that can be changed by changing your system's status – and you'll see how that's done later in the section on STAT. Also, PIP can use other device names for special uses – and you'll see those shortly, too. But for now ...

OPTIONS FOR CHANGING FILES

Until now, PIP has been basically shuffling complete pieces of data from one place to another. But during the copy process you can alter the final data in a variety of ways. It's done by using one or more of PIP's special options.

Each option is basically a letter enclosed in brackets, (), and directly follows the source file or device in your command. You may specify more than one option – for many changes at once – by merely placing one letter after another within the brackets. You can use spaces between them for clarity if you like.

Options to change text files

The option letters specifically designed for changing files of text – conventional characters and numbers – are:

D	Delete characters	E	Echo characters
F	Form-feeds removed	L	Lowercase only
N	Number lines	P	Page form-feeds
Q	Quit copying	S	Start copying
T	Tab space	U	Uppercase only
Z	Zero parity bit		

Here's how they work:

Dn Delete characters

A file that is too wide to print or display on the console may be truncated – shortened – by cutting off all characters that extend past the column number you specify (n).

EXAMPLE: `A>PIP:=LONGTEXT(D80)`

A file called LONGTEXT from the default drive (A) will be displayed on the console (CON:). But only the first 80 characters in each line will be shown. You can use this option as a quick check of a wide file, for example, before it is placed permanently on paper.

E Echo characters

With the E option, all copying is echoed – displayed on the console. It means you get to see the data as it is copied.

EXAMPLE: `A>PIP B:=C:SONGS(E)`

With this command, all the words from the file of your favourite SONGS on drive C will be copied to drive B under the same name. You'll be able to sing along, however, since all characters will be echoed on the console.

F Form-feeds removed

'Form-feeds' are special codes that force a printer to the top of the next page (if your printer will respond to this code). They may be imbedded within text to prevent printing over the tear line on fan-fold paper, for example, or may be used to start a fresh page at strategic points in your writing (such as the start of a new chapter). After editing the text, however, the present form-feeds may be in the wrong place. This command automatically removes them in the destination file. (They may be put back in the correct position with the P option explained later.)

EXAMPLE: `A>PIP C:WORKCOPY=ORIGINAL(F)`

Here, a new working file called WORKCOPY will be created on drive C. It will be a duplicate of the ORIGINAL file on the default drive (A) except all form-feeds will be removed.

L Lowercase only

This option converts all copied characters to lowercase – an 'A' becomes an 'a', for example. The only hard part about this option is finding a use for it.

EXAMPLE: A>PIP C:LOWER=D:UPPER(L)

A file called LOWER will be created on drive C and will contain a copy of the information from file UPPER in drive D. All uppercase characters will become lowercase characters in the copy.

N Number lines
N2

This line-numbering option works with text-like files, but it is most often used with a 'text' of programming lines for creating a program. The option can be specified in two ways. The first, N, numbers each line being transferred starting at one and continuing in increments of one. Leading zeroes are not used (001 is just 1) and each number is followed by a colon. If the N2 option is used, leading zeroes are used and a tab is inserted after the number.

EXAMPLE: A>PIP VERSION1.ASM=ORIGINAL.ASM(N)

A file called VERSION1.ASM will be created from the ORIGINAL.ASM file (both on default drive A). The new version will have all lines numbered, starting with '1:'. This option is useful for correcting errors in a program source file created by a line-oriented text editor (such as CP/M's ED program.) The numbers allow you to easily reference any line you wish for correcting with the editor. The (N2) option is similar, only lines will begin with '001' and tab characters will be inserted.

P Page form-feeds added
Pn

This option has two forms: the first, a single letter P, adds a form-feed code to the copy every 60 lines (to advance the printer to the top of the next page.) This normally leaves six empty lines at the bottom of each page. If you wish to change this, you can use the second option form to specify the number of lines per page (n) before each form-feed is added.

EXAMPLE: A>PIP LST:=MAKENEAT(P50)

The file called MAKENEAT from the default drive (A) will be sent to the list device (LST:). Form-feeds will be included after every 50 lines of text. (If your printer cannot use form-feeds, it will not advance and the text will simply continue down the page.) If only the P option is used, form-feeds will default to every 60 lines. If the F and P options are used together as in (FP50), then old form-feeds will be removed before the new ones are inserted.

Qphrase ^Z Quit copying

With the Q option, you can ask PIP to look for a particular word or phrase in the original text as it's being copied. When found, the copying automatically stops. The rest of the text will be ignored. This allows you to copy just the beginning of a file up to any point you wish. The word or phrase must be exact. Its end is marked by pressing the CONTROL and Z keys, which will produce the caret sign (^) and Z on the command line.

EXAMPLE: A>PIP EDIT.TXT=TOTAL.TXT(QBE?^Z)

If you were editing Shakespeare, this command will do nicely. The TOTAL.TXT file from the default drive (A) contains 'TO BE OR NOT TO BE? THAT IS THE QUESTION.' But since the option specifies the phrase 'BE?' (terminated with CONTROL and Z), the result in the EDIT.TXT copy file will be just the beginning of the original file: 'TO BE OR NOT TO BE?' (Notice punctuation counts too. Without the question mark in your option, the EDIT.TXT file would have terminated on the first 'BE'.)

Now if you're alert, you'll see that all of the words in this example are in capital letters. That's because CP/M automatically converts any letter you type – small or large – into capital letters for its own use (even though they may appear in lowercase on your console). If you type 'be?' in your command it will be converted to 'BE?' for the search and a capital 'BE?' must be in the text for a match to occur. To search for lowercase characters in a word or phrase, the second command form of PIP must be used:

```
A>PIP
*EDIT.TXT=TOTAL.TXT(Qbe?^Z)
*
A>
```

The second form of PIP is used by typing just its name to first enter it into memory. PIP responds with its '*' prompt and you may now type your command.

The difference, however, is that PIP will not convert lowercase characters into capitals. Now both the upper- and lowercase letters in your search phrase (be?) will be used. Once the copy is complete, PIP gives you another prompt for your next command. When you're through, type just a RETURN.

Sphrase^Z Start copying

The S option is very similar to the Q option except the phrase or word you specify gives PIP a point at which to start copying. The original text is checked for the phrase you've given. When found, the copying begins. Only the end of the original file, including the phrase, will be copied. The phrase is ended by pressing CONTROL and Z keys, producing the caret (^) and Z on the console.

EXAMPLE: A>PIP EDIT.TXT=TOTAL.TXT(STHAT^Z)

Again, as in the example used for the Q option, suppose the file called TOTAL.TXT contains 'TO BE OR NOT TO BE? THAT IS THE QUESTION.' Using the S option along with the word THAT in your command, will tell PIP to start copying only when 'THAT' is found in the original text. The result in the EDIT.TXT file will be 'THAT IS THE QUESTION.' As before, to search for a phrase or word that uses lowercase, use the second command form of PIP.

Since the S option tells PIP when to start copying and the Q option tells it when to quit, you can use both letters in your command to copy extracts of a file. For example:

EXAMPLE: A>PIP EDIT.TXT=TOTAL.TXT(STHAT^ZQTHE^Z)

will tell PIP to start copying with the word 'THAT' and end when it finds 'THE'.

Tn Tab space

Tab characters in your text, such as at the start of a new paragraph, can be expanded to any number of spaces in the copy using the T command. The number of spaces (n) you wish to 'tab over' is specified in your command directly following the T.

EXAMPLE: A>PIP FINAL=ORIGINAL(T5)

Here, the FINAL file will be identical to the ORIGINAL file (both on default drive A) except that all tabs in the original text will create five spaces in the copy.

U Uppercase only

This option converts all copied characters to uppercase – an 'a' becomes an 'A' in the copy, for example. This command is similar to the L option (Lowercase only).

EXAMPLE: A>PIP CON:=C:LOW(U)

All characters in the LOW file on drive C will be displayed on the console (CON:) as uppercase only.

Z Zero parity bit

Every character in your text requires seven separate pieces of information (called bits). The exact pattern of these bits tells the computer which character you've typed. But the computer always works with eight bits at a time – that leaves one left over. It's called the 'parity bit.' While many text editors may use this bit for special handling of the characters (it's set to 1), standard CP/M programs usually require the parity bit to be set to 0. To make the conversion, use the Z option:

EXAMPLE: A>PIP STANDARD=UNIQUE(Z)

The STANDARD file will contain the same information as the UNIQUE file (both from default drive A) except that the parity bit of all characters will be set to 0. The new file will then be compatible with conventional CP/M programs.

OPTIONS FOR GENERAL COPYING

Besides options specifically designed for text copying, PIP also has a few more designed for any type of file transfer. They, too, are enclosed in square brackets, (), and may be used singularly or together. The general options are

B Block mode copy	G Get from user	R Read system file
V Verify copy	W Write over	

Here's how they work:

B Block mode copy

When PIP copies your data, it normally takes small pieces at a time. The sending device merely waits for the recipient to copy the first chunk before giving the next. But some peripheral devices, such as a magnetic-tape player, can't stop: once started, they send all the data, from beginning to end. The B option, however, tells PIP an entire block of data is coming. Instead of copying small chunks at a time, PIP sends all the incoming data into memory. Then, when the block transfer is complete, PIP copies the data from memory to the recipient device.

EXAMPLE: A>PIP ALL=RDR:(B)

All the data from the reader (RDR:) is first sent directly to memory. When the file is complete, it is copied into the ALL file on the default disc drive A. The size of the block you are copying will be limited to the amount of memory in your system. If the block is too big, PIP will tell you and will abort the copy.

Gn Get file from another user area

The G option allows PIP to get a source file from another User area. The User area number, n, is given with the command and may be from 0 to 15 (as explained earlier in the **Built-in Commands** section under 'Changing Users.')

EXAMPLE: A>PIP A:=NEEDIT(G2)

This command will tell PIP to find the NEEDIT file in User area 2 and copy it under the same name in the present User area on drive A. (You could also change the destination file name with: PIP WANTIT=NEEDIT(G2). All conventional filename specifications, including asterisks and question marks, will work)

Since PIP is needed in a new User area to copy files, how do you first copy PIP into the new area? The answer is to place PIP in memory while in User area 0, change to the User area you want, and resave PIP with the built-in CP/M SAVE command. Suppose you'd like to place PIP in User area 3. Here's how to do it:

While in User area 0, type

A>PIP

Pip will enter memory and sign on with

A>PIP

*

Press the RETURN to exit to CP/M

A>PIP

*

A>

Now change to the User number you wish to contain PIP

A>PIP

*

A>USER 3

and CP/M will again show another A> prompt

```
A>PIP
*
A>USER 3
A>
```

Next, save PIP (8K × 4 = 32 blocks long and in memory) with

```
A>PIP
*
A>USER 3
A>SAVE 32 PIP.COM
```

The PIP utility will now be on the disc in User area 3 and you may use it to copy all other files.

R Read system file

Any file on a disc can be made a 'system' file (with the STAT utility described later). The file can be used, but it will not appear on the console with the Directory (DIR) command. Also, the file can't be copied with PIP ... unless you use the R option.

EXAMPLE: A>PIP C:=HIDDEN(R)

The system file HIDDEN is copied to the disc in drive C.

V Verify copy

The Verify command is for nervous people: it tells PIP to go back and check the data that has been copied against the original. If a bad piece of data was somehow placed in the file copy, PIP will tell you and you can try again. (A worn disc could cause this, for example.) With this command, the destination copy must be a disc file.

EXAMPLE: A>PIP C:=*.*(V)

Here, all the files from the default drive (A) will be copied to drive C and checked against the original. The V option causes the copying process to take a bit longer, but the few extra seconds can be worth it. In fact, for safety, it is normal practice to ...

ALWAYS USE THE (V) OPTION WHEN COPYING FILES.

W Write over protected files

Any file on a disc may be protected against accidental erasure. (This is done with the STAT utility program described later.) For PIP, however, this creates a problem if you wish to update one of these files – it can't be erased and replaced with a new version. Normally, when PIP finds a protected file, it will stop and ask you if it's all right to continue. (You answer with a simple Y or N.) But to quicken this process, you can use the W option to tell PIP to make the copy without bothering you with questions.

EXAMPLE: A>PIP C :=SAFE(W)

The file SAFE will be copied from the default drive (A) to drive C. If a protected file called SAFE already exists on drive C, it will be automatically overwritten. If you wish to join many files into one already protected file, the W option is merely placed at the end of all the files you've specified.

PIP can 'join' files? Yes – and you'll see how it's done in the next section covering PIP's special uses.

SPECIAL USES FOR PIP

This next section covers the special jobs PIP can do. They won't be used very often, but they can save you hours of work when needed.

Joining text files

You're writing a book. Each chapter is a separate file on disc, but now you'd like to put them together. To do that, you can use PIP to join (concatenate) any number of files into one:

```
A>PIP BOOK=CHAPTER1,CHAPTER2,CHAPTER3,CHAPTER4
```

The receiving file is set equal to all the filenames you'd like included, separated by commas (no spaces). Here, a file called BOOK will be created and will contain first CHAPTER1, then CHAPTER2, and so on. All files are copied (from the left and working to the right of your command) as one large final file. The original files remain unchanged.

Without specifying a drive letter, PIP will assume you mean the active drive. But as before, you can change that by merely adding a drive letter and colon (:). For example:

```
A>PIP C:BOOK=B:CHAPTER1,B:CHAPTER2,C:CHAPTER3,C:CHAPTER4
```

With this command, PIP creates a file called BOOK on drive C and fills it with CHAPTER1 from drive B, CHAPTER2 from drive B, CHAPTER3 from drive C and CHAPTER4 from drive C.

Also, since PIP first makes a temporary file (\$\$\$) for the actual copying, you can even use the destination file as one of the source files:

```
A>PIP BOOK=BOOK,CHAPTER5,CHAPTER6
```

The new BOOK file you are creating will first contain the old file BOOK, which has the first four chapters from the previous joining, and the two newest chapters you've written. That makes PIP extremely flexible. You can join any files together – including the file that is to be updated.

Joining non-text files

Joining textual files together is easy for PIP; that's because every text file ends with a special end-of-text code (comparable to CONTROL and Z keys). PIP merely copies a file until it sees the code – then goes to the next file you've specified. The problem, however, is when you wish to join raw data files not in textual form or files with a HEX file type.

When joining raw data files, PIP should not stop if it sees the end-of-text code. Reason: in this case, the code just happens to be a piece of raw data. If PIP stops, the rest of the file will not be copied.

The cure? Tell PIP the file you are joining is an 'object' file and it should not stop copying until the file's end. To do that, you use PIP's option for data copying: the letter O (for object) enclosed by brackets. For instance:

```
A>PIP NEW=DATA1(O),DATA2(O),DATA3(O)
```

will join DATA1, DATA2, and DATA3 together in the NEW file. The copying will stop only after DATA3 has been completed.

A HEX type file is used (by the LOAD utility) to re-create an executable (COM) program file, and it gives PIP other trouble. This file does contain the end-of-text character, but it also has another built-in code to signal the program end (:00). If you join two or more HEX files together, this program end code will be included in every file. If you later try to use the LOAD utility (to re-create one large COM program file) it will simply stop when it sees the end of the first program. The other files you've joined will not be used.

The fix? Right – another option: I (for ignore) enclosed by brackets (I). This tells PIP to ignore the program end it is presently joining. For example:

```
A>PIP NEW.HEX=FILE1.HEX(I),FILE2.HEX(I),FILE3.HEX
```

As the NEW file is created, PIP will ignore the program end of FILE1 and FILE2 – only the program end on FILE3 will be copied. Also, when the I option is used, PIP knows you are using a HEX file and will automatically check the data being transferred for accuracy. If something is wrong in any of the files, PIP will tell you.

If you like the idea of having the computer check its own data, you may use the last option, H, for checking any HEX format data.

The data in a HEX format (short for 'hexadecimal,' the number system used by your computer) is saved in rows. To check for accuracy, all the numbers in each row of data are added together and must equal the value of the last number in the row. This is called the Intel Checksum format (developed by the Intel Corporation).

Naturally, if any data was copied incorrectly, the total value of the row will not equal the last number – and the error will be reported to you by PIP. For instance:

A>PIP FILE.HEX=RDR:(H)

As a program from the reader device (RDR:) is copied to a disc file called FILE.HEX in the default drive (A), the data is checked for the proper sum.

Special devices

Sometimes external peripherals need a bit more than just raw data supplied by PIP. They may need additional codes to make the data more usable.

You can easily make these additions by using PIP's special device names. There are five special device names that can be used exactly as the standard device names (CON:, LST:, RDR:, and PUN:) explained earlier, but each has a particular effect on the final data.

The first three, 'EOF:', 'NUL:', and 'PRN:' are dedicated to do one job. The remaining two, 'INP:', and 'OUT:', tell PIP to get its data from a program you must supply. Here are the first three special device codes and what they do:

DEVICE RESULT

EOF: End-of-File – This sends the end-of-file character to the receiving device or file. This is normally sent automatically by PIP when copying text files, but this command allows you to send it manually for special files.

EXAMPLE: A>PIP PUN:=NEW,EOF:

A file called NEW on the default drive (A) will first be sent to the Punch (PUN:). Then the file will be terminated with the standard end-of-file character (EOF:).

NUL: Null – This sends 40 null codes (0) to a receiving device. This is normally used to produce leaders or trailers at the beginning or end of magnetic or paper tape. (It merely produces an empty area of tape making it easier to load into the machine.)

EXAMPLE: A>PIP PUN:=NUL:C:XMAS.LST,NUL:

The Punch device (PUN:) will first receive 40 nulls as a tape leader, followed by your Christmas-card list (XMAS.LST) from a disc in drive C. Then another 40 nulls are added to end the copy.

PRN: Print – data is sent to the print device as it would be if you used LST: except that tab characters in the text (such as at the beginning of a paragraph) create 8 spaces, all lines are numbered, and, after 60 lines, the printer is automatically advanced to the top of the next form (so it doesn't print over the paper tear perforations.)

EXAMPLE: A>PIP PRN:=DATA.ASM

The DATA.ASM file from the default disc drive (A) will be copied to the printer. The printed information will be formatted neatly on the paper and each line will be numbered for future reference. (Some editor programs, such as ED supplied with CP/M, allow you to instantly move to a particular line in your text to make corrections.) Using the PRN: special device is comparable to using the LST: standard device name with an option of (T8NP).

The remaining two special devices, INP: and OUT:, instruct PIP to use an external program for processing the information. The program can do anything you'd like to the data, but there's a catch – you must write it. Since the program must be written to produce machine code, these two devices are reserved for professional programming uses. But here's a quick look at what they do:

INP: –Input data

EXAMPLE: A>PIP FIXED=INP:

A file called FIXED is created on the default drive (A) and is filled with data from your program.

OUT: -Output data

EXAMPLE: A>PIP OUT:=CON:

Each character you type on the console (CON:) is sent to your program.

STAT

Checking System Status

You want to know how much space is left on a disc? That's no problem with the STAT utility. It's an extremely flexible program that keeps you up-to-date on the status of your computer system by performing five basic jobs:

- * Display remaining disc space
- * Display the size of a file
- * Set disc and file status
- * Check peripheral assignments
- * Set peripheral assignments

STAT will perform these tasks based on your entry on the command line. And, once the job is done, it automatically returns you to CP/M. Here's how they all work:

Displaying remaining disc space

One of STAT's most helpful functions is its ability to display the amount of space left on a disc. To do it type

A>STAT

Depending on the disc presently in your system, you'll see

```
A>STAT
A: R/W, Space: 124k
```

```
A>
```

Since no drive is specified, all discs presently in use will be displayed. Here, only the default drive (A) is in use and is shown on the left of the display as A:.

The R/W indicates the disc is set to read and write data. If the disc is protected against accidental erasure (with a STAT command you'll see shortly), the display will be R/O for read-only. And finally, the 124k shows there is room for another 124,000 pieces (bytes) of data on the disc.

To check the remaining space on a disc in another drive, merely add the drive-letter specification to your command:

A>STAT C:

With a drive specified, however, only the remaining space will be shown. The read/write status will not be displayed.

Displaying file size

You can check the size of a disc file by including its name on the command line as in

A>STAT PIP.COM

With this, you have instructed STAT to show the size of the PIP.COM file. The result:


```

A>STAT PIP.COM
  Recs  Bytes  Ext  Acc
    64   8k    1  R/O A:PIP.COM
Bytes Remaining On A: 124k

A>

```

You not only see the number of bytes taken up by the program (8k) but also the number of Records (64) and Extents (1) it uses on the disc, and its Access mode (R/O). As a check, the drive letter (A:) and filename are displayed; as a bonus, the remaining disc space is also shown.

Records and extents are areas of the disc assigned to a file. Instead of saving a file as one long continuous piece of data, CP/M breaks it into small sections; each section is a 'record' of data. (A record holds 128 bytes of the file.) Up to 128 records are grouped together and called an 'extent.' If more records are needed to save your file, more extents are used.

By saving a file in sections, CP/M squeezes more onto a disc: If it can't find one large empty space to hold your program, it merely uses a few smaller ones.

The Access (Acc) tells you this file is set for read-only (R/O) use, so it can't be accidentally erased. If the file is not protected, the Access is 'R/W' for read and write operation. (The Access mode is set using a STAT command you'll see in just a bit.)

You may check a file on another disc by adding the disc-drive specification:

```
A>STAT C:PIP.COM
```

The display you see with this command will be of the PIP.COM file on drive C.

Also, you may check the size of many files at once by using the asterisks or question marks in the filename:

```
A>STAT *.TXT
```

will display all files with a TXT file type. To be helpful, STAT lists them all in alphabetical order:

```

A>STAT *.TXT
  Recs  Bytes  Ext  Acc
    16   2k    1  R/W A:CHAP-A.TXT
     8   1k    1  R/W A:CHAP-B.TXT
    64   8k    1  R/W A:CHAP-C.TXT
    32   4k    1  R/W A:CHAP-D.TXT
    64   8k    1  R/W A:CHAP-E.TXT

A>

```

Long displays will continue to the bottom of your screen and move up (scroll) one line at a time until finished. You can temporarily stop and start the display by pressing CONTROL and alternately pressing the S key.

Although the size of any file can be checked this way with STAT, the result you see with some, called 'random access' files, may be misleading. These files have been placed at specific locations on the disc under the direction of an outside program. Records and extents are assigned by CP/M, but each may not be filled with data. But you can check these special files with one addition to the STAT command:

```
A>STAT PIP.COM $$
```

The \$\$ in your command will ask STAT to also show the actual size of a random access file.

Setting disc and file status

Until now, STAT has been passive – merely displaying the status of files. But with more commands, it can also do some work for you: prevent discs or files from being accidentally erased, for instance. To see what commands are available to you, type

A>STAT VAL:

and the result is a display of nine lines you can use for reference:

```
STAT VAL:

Temp R/O Disk: d:=R/O
Set Indicator: d:filename.typ $R/O $R/W $SYS $DIR
Disk Status   : DSK: d:DSK
User Status   : USR
Iobyte Assign:
CON: = TTY: CRT: BAT: UC1:
RDR: = TTY: PTR: UR1: UR2:
PUN: = TTY: PTP: UP1: UP2:
LST: = TTY: CRT: LPT: UL1:
```

Look confusing? It is at first glance, but each line is showing you the keywords you need to know to make STAT go to work. Here they are one at a time:

Line 1: Temp R/O Disc: D:=R/O

Purpose: To protect your disc

With this you can protect an entire disc from accidental erasure. The command sets the disc for read-only operation – you can read data or run programs on the disc, but new files cannot be created and old ones cannot be erased. You use the disc-drive specification (d:) set equal to the letters R/O, as in

A>STAT A:=R/O

to set the disc in drive A to read only. The R/O status is temporary, however, remaining only until CONTROL and C keys are pressed or CP/M is re-entered into your computer.

Line 2: Set Indicator: d.filename.typ \$R/O \$R/W \$DIR \$SYS

Purpose: To protect a file or create a system file.

You can set the status of individual files in various ways with this command. To use it, the file drive (d:) and filename (filename.typ) are followed by a space, dollar sign (\$), and one of the four indicators: R/O, R/W, SYS, or DIR.

Each indicator sets the file for a particular use. You may also use asterisks and question marks in the filename to change the status of many files at once. The drive specification is optional. If not present, the default drive is used. Here's how each indicator is used and what each does:

To protect a file against accidental erasure, type

A>STAT B:EXAMPLE.TXT \$R/O

The file EXAMPLE.TXT on drive B will be read-only. You can use it, but it cannot be erased or changed. This is permanent unless you use the next command:

A>STAT B:EXAMPLE.TXT \$R/W

Now the same file will be reset to read-and-write status. It can now be erased or changed. To make a file a system file, type

A>STAT *.COM \$SYS

The SYS indicator sets the file for system use. It can be used, but it does not clutter the directory listing (DIR command) and it cannot be copied using PIP (unless the (R) option is used). This is helpful on utility programs, and, as shown above, all programs (files with a COM file type) on default-drive A can be set at once by using the asterisk in the file name.

To change a system file back to a standard file, type

```
A>STAT FORMAT.COM $DIR
```

The DIR in your command sets the file back to normal use. It will be displayed in the directory and it may be copied.

Line 3: Disc Status : DSK: d:DSK:

Purpose: To check disc type

If you're curious about how data is saved on your disc, type the first form of this command:

```
A>STAT DSK:
```

and you'll see a rather lengthy display describing the characteristics of the disc in the default drive (A). You may check another drive by adding a drive specification:

```
A>STAT C:DSK:
```

In this, the disc in drive C will be shown. The display of numbers you'll see will depend upon the type of disc (single or double density, for example) being checked. The density can only be changed with the FORMAT utility program described earlier.

Line 4: User Status : USR:

Purpose: To check users on disc

If you share your disc with another User (as described in the USER area of the CP/M Built-in Command section), then this next STAT command will be helpful:

```
A>STAT USR:
```

will request a display of User numbers presently storing data on the disc. Result:

```
A>
```

```
A>STAT USR:
```

```
Active User : 0
```

```
Active Files: 012
```

You are the Active User (presently 0), but files are also present for User 1 and User 2.

Checking peripheral assignments

Obviously, for your computer to be useful, it must communicate with external peripheral gear. It has to accept your commands from the keyboard, for example, and display the results of its work on your screen. But to do that, it must also know where to look for the information it needs and where to send it when finished. Here's how you tell it:

The final five lines in the STAT VAL: display refer to the peripheral devices (video console, printer, etc.) attached to your system. The display you see is

lobyte Assign:

CON: = TTY: CRT: BAT: UC1:

RDR: = TTY: PTR: UR1: UR2:

PUN: = TTY: PTP: UP1: UP2:

LST: = TTY: CRT: LPT: UL1:

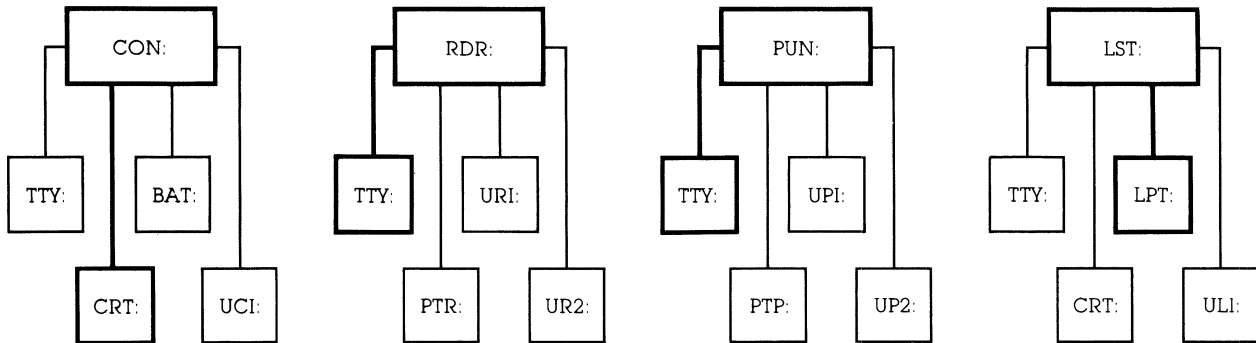
The CON: (Console), RDR: (Reader), PUN: (Punch), and LST: (List) down the left side of the display are the four main categories CP/M uses to input or output data.

As explained earlier in the PIP utility section, CP/M uses a specific category to send or receive data depending upon the job to be done. To receive commands and display results to you, it uses the console (CON:) category. To communicate with miscellaneous gear, it uses the Reader (RDR:) category to receive data and the Punch (PUN:) to send data out. And to print data, it uses the List (LST:) category.

But to allow greater flexibility, each category can be assigned to any one of four actual devices connected to your system. These devices are represented by the three letter abbreviations to the right of each category you see in the display. Here's what those abbreviations stand for:

BAT:	Batch (RDR: is input; LST: is output)
CRT:	Cathode Ray Tube (video console/keyboard)
LPT:	Line Printer
PTP:	Paper Tape Punch
PTR:	Paper Tape Reader
TTY:	Teletype
UC1:	User Console 1
UL1:	User Line Printer 1
UP1:	User Punch 1
UP2:	User Punch 2
UR1:	User Reader 1
UR2:	User Reader 2

PERIPHERAL STATUS



These three-letter names are only suggested peripherals. They merely represent a particular input/output connection to your computer. CP/M acts as a traffic cop; first directing data to one of the main categories for a particular job, and then to one of the four connections for a specific peripheral. (Your computer technical manual will tell you which connection – called a 'port' – is for which device name.)

Suppose, for example, you ask to have a letter printed. CP/M will then send each character to the list (LST:) category. But from there, it can go to any of the four possible device connections of your computer: TTY:, CRT:, LPT:, or ULI:. Which one will be used?

To find out which device is assigned to each category, you first use STAT in the command:

A> STAT DEV:

and you'll see a display similar to

```

A>
A>STAT DEV:
CON: is TTY:
RDR: is UR2:
PUN: is UP2:
LST: is LPT:

A>
  
```

This display shows that all Console commands (CON:) must come from the video display/keyboard (CRT:). The Reader (RDR:) and Punch (PUN:) are assigned to the teletype (TTY:) connector on your computer. And the letter you asked to be printed will be routed through the LST: category to the Line Printer (LPT:) connection of your computer. If your printer is attached to the LPT: connector, it will begin to work whenever data is sent to the LST: category.

All four categories are automatically assigned a device name when you first enter CP/M. But now watch what you can do by changing the assignments:

Changing peripheral assignments

Although CP/M automatically sets peripheral assignments each time it is entered in your computer, you can change them at any time with STAT. To do it, you merely set the category equal to the device name as in

A>STAT LST:=CRT:

With this command, for example, information sent to the list (LST:) category for printing will be routed to your video screen (CRT:). You could use this command to display the exact contents and format of a document before it's permanently placed on paper. If it all looks right, type

A>STAT LST:=LPT:

and now when you ask to print, the document is sent through the list category to the printer at the LPT: connector.

You have two printers? Great. Attach the fast one to the LPT: connector and the slower, better-printing model to the UL1: connector. Give the command

A>STAT LST:=LPT:

and you may print a rough draft on the high-speed printer. But, for final work, change the assignment with

A>STAT LST:=UL1:

and when you ask to have the document printed again, it is now typed on the slower, letter-quality printer.

If you own a modem for using data over the phone line, attach it to the TTY: connector on your computer. Then type

A>STAT LST:=TTY:

and instead of sending the document to your printer, it goes through the modem to a friend's computer. Or type

A>STAT CON:=TTY:

and all console (CON:) commands and CP/M displays will be routed through the modem – your friend can now control your system remotely.

Remember that data can also be sent or received from peripherals with the PIP utility program. (See the section on PIP for more details.) But, now that you know these other device names, you should also know that PIP can use them in its command line, too. For example:

A>PIP UL1:=FILENAME.TYP

will send a disc file directly to the slow-speed printer attached to the UL1: connector.

Automating your system with STAT

There is a device name that does not represent a particular connection to your computer. It's the Batch (BAT:) assignment available for console use.

When the Batch assignment is selected, CP/M gets its commands from whatever is assigned to the RDR: category; and the result of its work is sent to whatever is assigned to the LST: category. A paper tape reader could supply commands, for example. And the processed work could be sent to the printer for checking later. Enjoy your coffee.

MOVCPM nn *

This is the standard CP/M utility, it is included here for the sake of completeness. The command builds an nn K version of CP/M 2.2, complete with Intel MDS BIOS, and leaves an image of the code in memory at 0980H onwards. Do NOT attempt any other variations on the MOVCPM syntax – a system crash will result.

WRTCPM <d:>

This command writes the CCP and BDOS section of CP/M 2.2 onto the bootstrap area of the disc in drive 'd' – if 'd' is omitted the current logged disc is used. The CCP and BDOS code is obtained from memory at 0980H; this command is intended for use immediately after a MOVCPM. Note that the BIOS and COLD-START LOADER sectors are left unaltered by the operation. On successful completion, WRTCPM issues a warning message to inform the user that warm boots from this disc could now cause a system crash.

WRTBIOS <d:>

This utility is used to write the custom BIOS and COLD-START LOADER section of CP/M 2.2 onto the bootstrap area of the specified disc 'd'. If 'd' is omitted the current logged disc is used. The code for BIOS and C-START is obtained from the file CBIOS.HEX which must be resident on the current logged disc. (CBIOS.HEX is generated by assembling the CBIOS.ASM source code file). Note that the cold start loader code is contained within the CBIOS source at BIOS+380H.

Generating a new CPM system Size

This procedure makes use of the WRTCPM and WRTBIOS utilities described above. It is necessary to relocate the main CP/M body and the BIOS sections independently and then patch them together onto the disc. Follow the steps outlined below:

1 >ED CBIOS.ASM

Only one line of this file needs changing – the one that equates the value SYSIZE – simply change the number here to the system size, in K bytes, that you require.

2 >ASM CBIOS**3 >WRTBIOS <d:>**

Write the BIOS code to the required disc.

4 >MOVCPM nn ***5 >WRTCPM <d:>**

The new system has now been written and is ready to run.

NOTE: warm booting from this drive could result in a crash.

A sub file **CPMGEN.SUB** is provided to automate the above process. You must use the correct syntax when invoking this file, ie: SUB CPMGEN nn d: – it assumes that a copy of **CBIOS.ASM** is resident on the current logged disc. Be careful when using this file!

Chapter Eight : Overview of MTX-FDX CP/M 2.2 Special Features

This implementation of CP/M has been designed to support up to eight physical disc drives (accessed under CP/M as B...I – see table 2). Four of the drives may be 5¼" or 8" floppy drives, the other four may be silicon disc drives.

The MTX-FDX comes supplied with either two 5¼" floppy drives, or one 5¼" floppy drive and one silicon disc drive. However, the controller resident in the disc system can accommodate the variations of drives mentioned above.

Drives and drive types may be configured into the operating system dynamically on an as-and-when-required basis by a single CP/M command.

By making drive A: a logical drive which is mapped onto one of the eight physical drives, it is possible to free drive A: from the constraints of any particular physical drive or drive type. The prom based bootstrap firmware is capable of booting from any of the eight physical drives which may in turn be configured as any of the available drive types. Bootstrapping is carried out automatically at power up. Alternatively, a manual override facility may be invoked by interrupting the bootstrap sequence during its ram check phase by typing a carriage return at the console. This puts the bootstrap into a mode where it accepts a limited set of commands from the console, see the section headed '**The Bootstrap Prom**' in the technical manual.

Once CP/M has been booted, it maps the logical drive A: onto the physical drive from which it was booted – for example if the system was booted from physical drive E: then this drive will be internally mapped to appear as drive A:, however it will still remain accessible as drive E:. The I/O byte is assigned to the default value found in the boot area of the current disc and a pre-defined string of commands is automatically executed (unless aborted by a DEL character entered from the console). At this point CP/M is not aware of the existence of any drives other than A: and the drive from which it was booted – physically the same drive. Further drives may now be installed into the operating system using the CONFIG command (CONFIG normally forms part of the startup command string). When CONFIG is run the bootstrap section of the current disc is searched for a default configuration table which is used to customise CP/M to the user's particular installation. Once CONFIG has finished the customisation it prints out a disc configuration status table which lists the drive type number and description for each of the currently installed drives.

However, CONFIG has a second mode of operation in which parameters are passed to it from the command line. These parameters allow new configurations to be made and old configurations to be changed from single to double density, for instance. A STARTUP command may then be used to install the new configurations as the defaults for future cold boots. STARTUP also has a second mode of operation used to program the startup command string generated at cold boot time eg. 'STARTUP CONFIG\BASIC DEMO'; the \ symbol is used to represent carriage return.

There now follows a concise description of the utilities proved with MTX-FDX CP/M:

CONFIG

CONFIG <d:t,d:t....d:t>

This command is used to configure and re-configure CP/M for various combinations of disc/drive types. It is the users responsibility to inform the operating system of the type of drive and media for a given drive number. The command has 2 modes of operation:

- 1 Default mode, where no command string is specified, is used to initialise CP/M, usually at cold boot time, with the default configurations stored on the system tracks of the currently-logged disc.

These default configurations are set up initially using CONFIG, in mode 2, and STARTUP. Note that in this mode of operation CONFIG will not re-configure any already configured drives, for example the bootstrap drive's initial configuration determined at boot time will remain unchanged. CONFIG followed by a single space character may be used at any time to provide a listing of current drive configuration status.

2 When a valid command string is entered this will be analysed and used to generate new configurations and re-configurations. 'd' represents the drive and 't' represents the type to be allocated to that drive – t is a hex digit or digit pair, see below for a description of drive type numbers. When re-configuring an already configured drive it should be observed that only changes within general drive type are allowed, for example between double and single density on an 8 inch floppy. Reconfiguring a floppy to a winchester for example is illegal. Note that if the bootstrap drive is re-configured, a pause is generated to allow the user to change media – the new disc should have the same CP/M system size in its bootstrap tracks.

Once CONFIG has completed its operation, a summary of current configuration status is listed. Among other things the current values of the FREE-SPACE and TOP-OF-AVAILABLE-MEMORY pointers are given. The FREE-SPACE pointer value increases when drives are installed as CHECK and ALLOCATION VECTORS are allocated, an error will occur if an attempt is made to increase it beyond the current value of the TOP-OF-AVAILABLE-MEMORY pointer. The TOAM pointer is set up at cold-boot time by the disc handling software and points to the first byte of code or buffer needed by DISCxx. If user installed code is required in high memory, this should be slotted in between TOAM and FS, further, TOAM should be updated so as to afford protection to the new code. Note also that if an 'ENTER' string is currently active it MAY be terminated prematurely.

TABLE 1 – Config codes

TYPE	DESCRIPTION
0	5 inch s/s s/d 40Tk
1	5 inch d/s s/d 40 Tk
2	5 inch s/s d/d 40 Tk
3	5 inch d/s d/d 40 Tk
4	5 inch s/s s/d 80 Tk
5	5 inch d/s s/d 80 Tk
6	5 inch s/s d/d 80 Tk
7	5 inch d/s d/d 80 Tk
8	TVI Emulator – Overlay 8
9..F	Not yet assigned
*10	8 inch s/s s/d 77 Tk
11	8 inch d/s s/d 77 Tk
12	8 inch s/s d/d 77 Tk
13	8 inch d/s d/d 77 Tk
14..1F	Not yet assigned
40..4F	Silicon disc configs 250K..8MB

*This Config Code is compatible with lifeboat format A1.

TABLE 2 – Logical and physical drives

LOGICAL	PHYSICAL	CONTROLLER	DRV-SELECT
A	mapped to one of the following at cold boot		
B	B (0)	primary	1
C	C (1)	primary	2
D	D (2)	primary	3
E	E (3)	primary	4
F	F (4)	secondary	1
G	G (5)	secondary	2
H	H (6)	secondary	3
I	I (7)	secondary	4

STARTUP

STARTUP <msg1\msg2\...msgn>

This utility is used to initialise the startup command string held on the currently-logged disc. It has three forms of syntax.

- 1 With no string specified the effect is to store the current I/O byte and disc configuration status on the destination disc. These will then be used as the default parameters in future cold boots from that disc.
- 2 With a single space character entered, the effect is to delete the startup command string currently on the destination disc.
- 3 However if a string is specified then it will be written to the destination disc and used as the startup command string on future cold boots from that disc. Use the '\ ' symbol to generate carriage returns. Typing a single DEL character at the console will abort the execution of the command string. (Note that '\ ' is interpreted as a single '\ ' character and any character preceded by a '^' will generate the corresponding control code - '^' generates a '^').

COLDBOOT <d:>

This command is used to generate a cold start from the specified drive 'd'. This drive becomes the source for all future warm boots and becomes assigned to logical drive A:. If 'd' is specified as '\$' then the currently logged disc is used for the cold boot.

BAUD <channel>,<rate>

Channel is specified as either A or B and represents the serial channel to be affected (A=SIOA & B=SIOB). Rate is one of the following: 9600,4800,2400,1200,600,300,110 and specifies the required baud rate for the channel.

RCHECK <d:>

This command read-checks the specified drive, or if d is omitted, the currently-logged drive. A ':' character is output to the console for every good sector read. If an error occurs a number between 0 (hard error) and 9 (soft error) will be printed in place of the colon. Typing any character during the read check will abort the process. The number of sectors read by the read checker is determined by the current configuration status of the drive. Note that a sector is a logical sector of 128 Bytes and is independent of the actual sector size for the disc.

BATCH

This utility performs a similar function to the CP/M transient SUBMIT except that once BATCH is invoked it prompts for CP/M command lines to be entered directly from the console for execution immediately after BATCH is terminated with the reserved command line '@END'.

ENTER <msg1\msg2\...msgn>

This utility, when used inside SUBMIT files or in BATCH command blocks, has the effect of simulating console character entry of the specified strings **msg1..msgn** with \ characters interpreted as carriage returns and a CR character assumed at the end of the line. Typing a DEL character at the console aborts execution of the strings. ENTER enables interactive programs such as DDT and ED to be driven by SUBMIT and BATCH files. Note that '\ ' is interpreted as a single '\ ' character and that any character preceded by a '^' character generates the corresponding control code - '^' generates a '^'. Note that ENTERed strings are cumulative, ie any number of ENTER commands may be used one after the other to build up a long string. ENTER makes use of free ram space in high memory; if an attempt is made to enter a string so long that the available free space is exhausted then the command will abort.

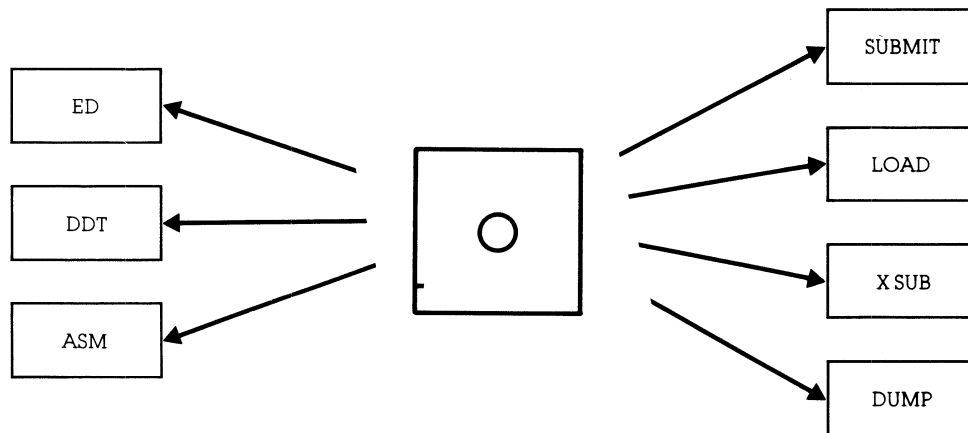
ERAQ file name

This utility provides an erase-with-query facility. Before erasure of the specified file(s) is performed the operator is prompted with the unambiguous file name and should respond with 'Y' to erase the file, 'N' to keep the file, or CR to abort the program. SYS files are not ignored and the operator is prompted for further confirmation in the case of R/O files.

SIDISC Refer to Technical Manual

SISPOOL Refer to Technical Manual

Chapter Nine : Programming Utilities



The balance of the utility programs usually included with CP/M are provided for programmers knowledgeable in 8080 Assembly Language. The programs are:

ED	ASM	LOAD	DUMP
DDT	SUBMIT	XSUB	

The Assembly Language is just one of many languages used to create programs. (BASIC, FORTRAN, and COBOL, for example, are others). The difference, however, is that Assembly Language deals more closely with the direct operation of the microprocessor than the others. The result is a very compact, fast-running program. Its drawback, however, is that it is a more difficult language to learn – but there are a variety of excellent books available.

If you have not mastered Assembly Language yet, a complete description of how these programs work is meaningless. And if you are an experienced programmer, the CP/M manuals will supply you with thousands of words on the subject. So, to be logical, only the order in which these utilities are generally used and a brief description of what they do will be given here:

Ed – Editor

Format: A>ED FILENAME.ASM

This is a line-orientated text-editing program used for creating the program source. It is here where the idea for your program is originally entered on separate lines. All lines are numbered – you must tell the editor which line and where in that line you'd like to enter or change a character.

To do that, ED has two modes of operation: the 'insert' mode for entering text and the 'command' mode for changing it. Special keys are used to switch from one mode to another and to give ED its instructions.

When complete, the source program you write is saved on disc under the filename you originally specified in the command line. The file name is up to you; the file type must match the requirements of the Assembler you'll be using. To use the standard CP/M Assembler described next, for example, the file type must be ASM.

ASM – Assembler

Format: A>ASM FILENAME.123

The ASM program converts the English-like words in your program (called mnemonics) into the 8080 microprocessor codes used by the computer. Your program must be on disc with an 'ASM' file type, but the file name may be anything. Using your source file, the Assembler then creates (optionally) two other disc files:

The first file contains the computer codes that represent your program in a form that may be tested for accuracy (Intel checksum). The file name is the same as your program, but the file type is automatically set to 'HEX.' This file will eventually be used with the LOAD utility (described later) to create a final, executable version of your program.

The second file is a duplicate of your program except all the computer codes are added. Its file name is also the same as your program, but the file type is set to 'PRN.' The PRN file is for your use – print it out and you'll see the assembled version of your program.

The three file-type positions (FILENAME.123) used when ASM is first initiated specify where your original file is located and where the HEX and PRN files should go if desired. If left empty, the default drive is used – it must contain your source program and it will be used to hold both the HEX and PRN files after assembly.

But, by adding a drive letter, or the letters X or Z, you may give the Assembler special instructions:

Position 1

A drive letter specification (A,B,C, etc.) here will tell the Assembler the location of your source program. This allows you to have your program on any drive. The letters X and Z are not used in this position.

Position 2

A drive letter specification here indicates the drive on which you'd like the HEX file placed. If the letter Z is used, the file will not be created. (This saves time during the development of a program when you may only wish to see possible assembly errors.) The letter X is not used in this position.

Position 3

A drive letter specification here tells the Assembler where to place the PRN file. If the letter Z is used, it will not be created. If the letter X is used, it will be sent to the console instead of a disc drive. With this, you get to see your program being developed – line by line – as it is assembled.

During the assembly, the console will display any errors (heaven forbid) you've made. Your program must be then corrected with the editor and re-assembled. Once all errors are removed, there is just one more step before it may be run in the computer – and that's to use the LOAD utility.

LOAD – Loader

Format: A>LOAD FILENAME

The LOAD utility converts the HEX file created by ASM into a directly executable command file and saves it on disk. The file name will be the one you originally chose; the file type will be automatically set to COM.

Once your program has been loaded, and its COM file created, you may use it by merely typing its file name on the command line. If it works, you're job is finished. If it doesn't, there's always help from DDT:

DDT – Dynamic debugging tool

Format: A>DDT FILENAME.TYP

After you've created your program and tried to run it, there's a chance (usually a good one) that it won't do precisely what you had intended – it has 'bugs.' But DDT has a variety of commands that allow you to examine and change the program execution – to 'debug' it.

When DDT starts, it automatically enters the file you've specified on the command line into memory. (If you hadn't specified a file, it may be entered later using one of DDT's commands.) It then gives you a dash (-) prompt to tell you it's ready.

DDT will accept single-letter commands to display, enter, or change the contents of the program. Here are the commands you can use and a brief description of what they do:

Command Result

A	Assembly Language codes (mnemonics) may be entered
D	Display contents of memory address
F	Fill memory with data
G	Go to memory address and execute instruction
I	Input a file parameter
L	List memory contents using assembly codes
M	Move data in memory

- R Read in a disc file
- S Substitute a value in memory for another
- T Trace the program as it runs
- U Untrace the program (turn off trace)
- X Examine and optionally change microprocessor status

Besides these single letters, most commands also require additional information, such as the memory address you'd like to change. That command, for instance, would be S1000 to examine and optionally change address 1000.

Once you've made the changes you need, you may immediately try the program or return to CP/M by pressing the CONTROL and C keys. Then you may save the changed program with CP/M's built-in SAVE command.

DUMP – Display file

Format: A>DUMP FILENAME.TYP

The DUMP utility program displays the contents of the file you specify on the console. All data is shown as a 'hexadecimal' number. These numbers are used by the computer and represent textual data – conventional letters and numbers – or the machine codes used within a program.

Using DUMP to see a file called MESSAGE.TXT, for example, could produce a display somewhat like:

```
A>DUMP MESSAGE.TXT
```

```
0000 43 6F 6E 67 72 61 74 75 6C 61 74 69 6F 6E 73 2D
0010 79 6F 75 20 64 65 63 6F 64 65 64 20 74 68 69 73
A>
```

All numbers you see are in hexadecimal. The first four digits show the starting position for the 16 bytes of data (two digits per byte) contained on each line. This is the data actually contained in the file.

On long files, the display will continue to the bottom of your console and move up (scroll) line-by-line until finished. You may prematurely end the display, however, by pressing any standard key on the keyboard. Or, to stop and start the display for easier reading, press CONTROL and alternately press the S key.

Along with the DUMP.COM program file, you may also find a DUMP.ASM file. This is the program assembly listing and you may use CP/M's built-in TYPE command to display it on your console. You will see the program source and how it has been created. You may also use the Assembler and the LOAD utility to re-construct a new copy of DUMP for practice.

SUBMIT – Automatic operation

Format: SUBMIT FILENAME.SUB

Many of the jobs you do with CP/M will become routine – such as copying utilities and assembling programs. You can do it all manually, but you can also ask CP/M to do it for you by using the SUBMIT utility.

The idea is simple: using a text editor (such as ED), you create a disc file of the commands you'd like done. Then, by merely typing SUBMIT and the name of the file, each of your commands will be automatically placed on the command line for CP/M to execute. (You'll actually see each line appear on the console as SUBMIT does its work.) The file may have any file name you choose, but it must have a SUB file type.

For example, suppose you've created a file called DEMO.SUB and it contains the following command lines:

```
PIP B:=STAT.COM
PIP B:=PIP.COM
```

```
PIP B:=EDITOR.COM
DIR B:
```

Each command in your file is on its own line and is typed just as if you were performing that function in CP/M. Now, to make it work, type **SUBMIT** and the name of the file you've created:

A>SUBMIT DEMO

The SUB file type is assumed and is not used in your command. In a moment, you'll hear the disc begin to work – and in a few seconds, you'll see your commands automatically filled in on the command line and executed. Here, the disc in drive B will receive a copy of STAT.COM, PIP.COM, and EDITOR.COM. The last command will then do a directory (DIR) of the disc in drive B. You have automated CP/M!

Using variables with SUBMIT

Suppose you routinely copy three files to drive C, but their names vary depending upon the type of disc you're creating. The SUBMIT program can still help by also accepting a variable.

Instead of using specific filenames in your submit file, use a number preceded by a dollar (\$) sign. (The '\$' tells SUBMIT that the number is a variable and not the name of a program). For example, suppose the 'DEMO.SUB' file you create contains:

```
PIP C:=$1
PIP C:=$2
PIP C:=$3
DIR C:
```

With this, three files will still be copied on drive C and the directory (DIR) displayed, but the names of the files are variable. The names used by SUBMIT will be chosen from your command line when the file is used. For instance, type

A>SUBMIT DEMO STAT.COM PIP.COM EDITOR.COM

and SUBMIT will replace the \$1, \$2, and \$3 variables with the names you've given in the command line. The order of the names (separated by spaces), determines the number. To SUBMIT, the command appears as:

	file	variable	variable	variable	variable	etc.
A>SUBMIT	name	\$1	\$2	\$3	\$4 ...	etc.

When DEMO.SUB is run, sit back and relax – the commands will begin filling the console screen and you'll see:

```
A>PIP C:=STAT.COM
A>PIP C:=PIP.COM
A>PIP C:=EDITOR.COM
A>DIR C:
```

Any phrase can be used as a variable: a complete filename, a separate file name and file type, or drive letter, for example. That means you can make your submit files as flexible as you like. There is only one rule, however: the SUBMIT file must be on the disc in drive A and the disc cannot be write-protected. To keep track of things, SUBMIT writes data in its own special file on the disc in drive A.

XSUB – Extended SUBMIT

Normally, SUBMIT can only enter CP/M command lines. Once a program is entered, you must take over the commands it needs. But if XSUB is placed on the first line of your SUB file, then even commands within a program will be automatically carried out.

While SUBMIT and XSUB may be used for programs other than utilities, they may not work for all. In fact, because of the way most programs use CP/M, SUBMIT and XSUB are largely confined to standard utility operations.

SUB – Modified Submit

SUB file name

This is a modified version of SUBMIT which allows operation from any logged drive – not just A:, it also tolerates embedded '^' characters. Use this command in preference to SUBMIT.

Chapter Eleven : CP/M Filetypes

CP/M identifies every file by a unique file specification, which consists of a drive specification, a filename, and filetype. The filetype is an optional three character ending separated from the filename by a full stop. The filetype generally indicates a special kind of file. Common filetypes and their meanings follow.

Filetype Indication

ASM	Assembly language source file; the CP/M assembler, ASM, assembles or translates an ASM file into machine language.
BAK	Back-up file created by text editor; the editor renames the source file with this filetype to indicate that the original file has been processed. The original file stays on disc as the back-up file, so you can refer to it.
BAS	CBASIC program source file.
COM	8080 executable file.
HEX	Program file in Intel hexadecimal format.
INT	CBASIC program intermediate language file.
IRL	Indexed REL file produced by LIB.
LIB	Used by MAC and RMAC for macro libraries. The ED R command reads files of type LIB. The ED X command writes files of type LIB. Printable file displayed on console or printer.
OVL	Program overlay file. PL/I-80 compiler overlays files; you can create overlay files with LINK-80.
PLI	PL/I-80 source program filetype.
PRL	Page relocatable file, a file that does not require an absolute segment. It can be relocated in any page boundary (256 bytes).
PRN	Printable file displayable on console or printer.
REL	Relocatable file produced by RMAC and PL/I-80 that can be linked by LINK-80.
SUB	Filetype required by submit file containing one or more CP/M commands. The submit program executes commands in files of TYPESUB, providing a batch execution mode for CP/M.
SYM	Symbol table file. MAC, RMAC, and LINK-80 output files of the type SYM. SID and ZSID read files of type SYM.
TEX	Source file for TEX-80, the Digital Research text formatter.
XREF	Cross reference file produced by XREF.
\$\$\$	Temporary file.

Chapter Twelve : CP/M Messages

? (DDT Error Message)

DDT. This message appears when **DDT** does not understand the assembly language instruction, the file cannot be opened, a checksum error occurred in a **HEX** file, or the assembler/disassembler was overlaid.

ABORTED

PIP. You stopped a **PIP** operation by pressing a key.

ASM Error Messages

- D** Data error; data statement element cannot be placed in specified data area.
- E** Expression error; expression cannot be evaluated during assembly.
- L** Label error: label cannot appear in this context (might be duplicate label).
- N** Not implemented: unimplemented features such as macros are trapped.
- O** Overflow: expression is too complex to evaluate.
- P** Phase error: label value changes on two passes through assembly.
- R** Register error: the value specified as a register is incompatible with the code.
- S** Syntax Error: improperly formed expression.
- U** Undefined Label: label used does not exist.
- V** Value error: improperly formed operand encountered in an expression.

BAD DELIMITER

STAT. Check command line for typing errors.

Bad Load

CCP error message, or **SAVE** error message.

Bdos Err On d:

Basic Disc Operating System (**BDOS**) Error on the designated drive. CP/M replaces d: with the drive specification of the drive where the error occurred. This message is followed by one of the four phrases in the situation described below.

Bdos Err On d: Bad Sector

This message appears when CP/M finds no disc in the drive, the disc is improperly formatted, the drive latch is open, or power to the drive is off. Check for one of these situations and try again. This message can also indicate a hardware problem or a worn or improperly formatted disc. Press CTRL-C to terminate the program and return to CP/M, or press the return key to ignore the error.

Bdos Err On d: File R/O

You tried to erase, rename, or set file attributes on a Read Only file. The file should first be set to Read-Write (**R/W**) with with command: **STAT** filespec **\$R/W**.

Bdos Err On d: R/O

The drive specified by d: has been assigned Read-Only status with the **STAT** command or the disc in the drive has been changed without being initialized with a CTRL-C. CP/M terminates the current program when any key is pressed.

Bdos Err On d: Select

CP/M has received a command specifying a nonexistent drive. CP/M terminates the current program as soon as you press any key. Press return key or CTRL-C to recover.

Break 'x' at c

- ED.** 'x' is one of the symbols described below and c is the command letter being executed when the error occurred.
- #** Search failure. **ED** cannot find the string specified in an **F**, **S** or **N** command.
- ?** Unrecognized command letter c. **ED** does not recognize the indicated command letter, or an **E**, **H**, **Q** or **O** command is not alone on its command line.
- O** The file specified in an **R** command cannot be found.
- >** Buffer full. **ED** cannot put any more characters in the memory buffer, or the string specified in an **F**, **N** or **S** command is too long.
- E** Command aborted. A keystroke at the console aborted command execution.
- F** Disc or directory full. This error is followed by either the disc or directory full message. Refer to the recovery procedures listed under these messages.

CANNOT CLOSE DESTINATION FILE-(FILESPEC)

PIP. An output file cannot be closed. You should take appropriate action after checking to see if the correct disc is in the drive and that the disc is not write protected.

Cannot close, R/O CANNOT CLOSE FILES

CP/M cannot write to the file. This usually occurs because the disc is write protected.

ASM. An output file cannot be closed. This is a fatal error that terminates **ASM** execution. Check to see that the disc is in the drive and that the disc is not write protected.

DDT. The disc file written by a **W** command cannot be closed. This is a fatal error that terminates **DDT** execution. Check if the correct disc is in the drive, and that the disc is not write protected.

SUBMIT. This error can occur during **SUBMIT** file processing. Check if the correct system disc is in drive A, and that the disc is not write protected. The **SUBMIT** job can be restarted after rebooting CP/M.

CANNOT READ

PIP. **PIP** cannot read the specified source. Reader cannot be implemented.

CANNOT WRITE

PIP. The destination specified in the **PIP** command is illegal. You probably specified an input device as a destination.

Checksum error

PIP. A hex record checksum error was encountered. The hex record that produced the error must be corrected, probably by recreating the hex file.

CHECKSUM ERROR
LOAD ADDRESS hhhh
ERROR ADDRESS hhhh
BYTES READ:
hhhh:

LOAD. File contains incorrect data.
Regenerate hex file from the source.

Command Buffer Overflow

SUBMIT. The **SUBMIT** buffer allows up to 2048 characters in the input file.

Command too long

SUBMIT. A command in the **SUBMIT** file cannot exceed 125 characters.

CORRECT ERROR, TYPE RETURN OR CTRL-Z

PIP. A hex record checksum error was encountered during the transfer of a hex file. The hex file with the checksum error should be corrected, probably by recreating the hex file.

DESTINATION IS R/O, DELETE (Y/N):

PIP. The destination file specified in a **PIP** command already exists, and is Read-Only. If you type **Y**, the destination file is deleted before the file copy is done.

Directory full

ED. There is not enough directory space for the file being written to the destination disc. You can use the **OXfilespec** command to erase any unnecessary files on the disc without leaving the editor.

SUBMIT. There is not enough directory space to write the **\$\$\$SUB** file on drive A, which is used for processing **SUBMIT**'s. Erase some files or use a new disc and retry.

Disc Full

ED. There is not enough disc space for the output file. This error can occur on the **W,E,H** or **X** commands. If it occurs with you, you can repeat the command, prefixing the filename with a different drive.

DISC READ ERROR – (filespec)

PIP. The input disc file specified in a **PIP** command cannot be read properly. This is usually the result of an unexpected end-of-file. Correct the problem in your file.

DISC WRITE ERROR – (filespec)

DDT. A disc write operation cannot be successfully performed during a **W** command, probably due to a full disc. You should either erase some unnecessary files or use another disc with more space.

PIP. A disc write operation cannot be successfully performed during a **PIP** command, probably due to a full disc. You should either erase some unnecessary files or use another disc with more space and execute **PIP** again.

SUBMIT. The **SUBMIT** program cannot write the **\$\$\$SUB** file to the disc. Erase some files or use a new disc and try again.

ERROR: BAD PARAMETER

PIP. You entered an illegal parameter in a **PIP** command. Retype the entry correctly.

ERROR: CANNOT OPEN SOURCE, LOAD ADDRESS hhhh

LOAD. Displayed if **LOAD** cannot find the specified file or if no filename is specified.

ERROR: CANNOT CLOSE FILE, LOAD ADDRESS hhhh

LOAD. Caused by an error code returned by a **BDOS** function call. Disc might be write protected.

ERROR: CANNOT OPEN SOURCE, LOAD ADDRESS hhhh

LOAD. Cannot find source file. Check disc directory.

ERROR: DISC READ, LOAD ADDRESS hhhh

LOAD. Caused by an error code returned by a **BDOS** function call.

ERROR: DISC WRITE, LOAD ADDRESS hhhh

LOAD. Destination disc is full.

ERROR: INVERTED LOAD ADDRESS, LOAD ADDRESS hhhh

LOAD. The address of a record was too far away from the previously processed record. This is an internal limitation of **LOAD**, but it can be circumvented. Use **DDT** to read the hex file into memory, then use a **SAVE** command to store the memory image on disc.

ERROR: NO MORE DIRECTORY SPACE, LOAD ADDRESS hhhh

LOAD. Disc directory is full.

Error on line nnn message

SUBMIT. The **SUBMIT** program displays its messages in the format shown above, where **nnn** represents the line number of the **SUBMIT** file. Refer the message following the line number.

FILE ERROR

ED. Disc or directory is full, and **ED** cannot write anything more on the disc. This is a fatal error, so make sure there is enough space on the disc to hold a second copy of the file before invoking **ED**.

FILE EXISTS

You asked CP/M to create or rename a file using a file specification that is already assigned to another file. Either delete the existing file or use another file specification.

REN. The new name specified is the same as a file that already exists. You cannot rename a file with the name of an existing file. If you want to replace an existing file with a newer version of the same file, either rename or erase the existing file, or use the **PIP** facility.

File Exists, erase it

ED. The destination filename already exists when you are placing the destination file on a different disc than the source. It should be erased, or another disc selected to receive the output file.

**** FILE IS READ/ONLY ****

ED. The file specified in the command to invoke **ED** is Read-Only. **ED** can read the file so that you can examine it, but **ED** cannot change a Read-Only file.

File Not Found

CP/M cannot find the specified file. Check that you have entered the correct drive specification and that you have the correct disc in the drive.

ED. **ED** cannot find the specified file. Check that you have entered the correct drive specification and that you have the correct disc in the drive.

STAT. **STAT** cannot find the specified file. The message might appear if you omit the drive specification. Check to see if the correct disc is in the drive.

FILE NOT FOUND – (filespec)

PIP. An input file that you have specified does not exist.

Filename Required

ED. You typed the **ED** command without a filename. Re-enter the **ED** command, followed by the name of the file you want to edit or create.

hhh??=dd

DDT. The ?? indicates **DDT** does not know how to represent the hexadecimal dd encountered at address hhhh in 8080 assembly language, dd is not an 8080 machine-instruction opcode.

Insufficient memory

DDT. There is not enough memory to load the file specified in an **R** or **E** command.

Invalid Assignment

STAT. You specified an invalid drive or file assignment, or misspelled a device name. This error message may be followed by a list of the valid file assignments that can follow a filename. If an invalid drive assignment was attempted, the message '**Use: d:=RO**' is displayed showing the proper syntax for drive assignments.

Invalid Control Character

SUBMIT. The only valid control characters in the **SUBMIT** files of type **SUB** are A through Z. Note that in a **SUBMIT** file, the control character is represented by typing the circumflex, ^, not by pressing the **CTRL** key.

INVALID DIGIT – (filespec)

PIP. An invalid hex digit has been encountered while reading a hex file. The hex file with the invalid hex digit should be corrected, probably by recreating the hex file.

Invalid Disc Assignment

STAT. Might appear if you follow the drive specification with anything except =R/O.

INVALID DISC SELECT

CP/M received a command line specifying a nonexistent drive or the disc in the drive is improperly formatted. CP/M terminates the current programme as soon as you press any key.

INVALID DRIVE NAME (Use A,B,C,D,E or F,G,H,I – see bootstrap rom)

SYSCOPY. **SYSCOPY** recognizes only the drives supported by the resident bootstrap prom, as valid destinations for system generation.

Invalid File Indicator

STAT. Appears if you do not specify RO, RW, DIR, or SYS.

INVALID FORMAT

PIP. The format of your **PIP** command is illegal. See the description of the **PIP** command.

INVALID HEX DIGIT

LOAD ADDRESS hhhh

ERROR ADDRESS hhhh

BYTES READ:

hhhh

LOAD. File contains incorrect hex digit.

INVALID MEMORY SIZE

MOVCPM. Specify a value less than 64K or your computers actual memory size.

INVALID SEPARATOR

PIP. You have placed an invalid character for a separator between two input filenames.

INVALID USER NUMBER

PIP. You have specified a user number greater than 15. User numbers are in the range 0–15.

n?

USER. You specified a number greater than 15 for a user area number. For example, if you type **USER 18 <cr>**, the screen displays **18?**

NO DIRECTORY SPACE

ASM. The disc directory is full. Erase some files to make room for **PRN** and **HEX** files. The directory can usually hold only 64 filenames.

NO DIRECTORY SPACE – (filespec)

PIP. There is not enough directory space for the output file. You should either erase some unnecessary files or get another disc with more directory space and execute **PIP** again.

NO FILE – (filespec)

DIR, ERA, REN, PIP. **CP/M** cannot find the specified file, or no files exist.

ASM. The indicated source or include file cannot be found on the indicated drive.

DDT. The file specified in an **R** or **E** command cannot be found on the disc.

NO INPUT FILE PRESENT ON DISC

DUMP. The file you requested does not exist.

No Memory

There is not enough memory available for loading the programme specified.

NO SOURCE FILE ON DISC

SYSCOPY. **SYSCOPY** cannot find **CP/M** either in **CPMxx.COM** form or on the system tracks of the source disc.

NO SOURCE FILE PRESENT

ASM. The assembler cannot find the file you specified. Either you mistyped the file specification in your command line, or the filetype is not **ASM**.

NO SPACE

SAVE. Too many files are already on the disc or no room is left on the disc to save the information.

No SUB File Present

SUBMIT. For **SUBMIT** to operate properly, you must create a file with filetype of **SUB**. The **SUB** file contains usual **CP/M** commands. Use one command per line.

NOT A CHARACTER SOURCE

PIP. The source specified in your **PIP** command is illegal. You have probably specified an output device as a source.

**** NOT DELETED ****

PIP. **PIP** did not delete the file, which might have had the **R/O** attribute.

NOT FOUND

PIP. PIP cannot find the specified file.

OUTPUT FILE WRITE ERROR

ASM. You specified a write protected diskette as the destination for the **PRN** and **HEX** files, or the diskette has no space left. Correct the problem before assembling your programme.

Parameter error

SUBMIT. Within the **SUBMIT** file or type **SUB**, valid parameters are \$0 through \$9.

QUIT NOT FOUND

PIP. The string argument to a **Q** parameter was not found in your input file.

Read Error

TYPE. An error occurred when reading the file specified in the type command. Check the disc and try again. The **STAT** filespec command can diagnose trouble.

READER STOPPING

PIP. Reader operation interrupted.

Record Too Long

PIP. PIP cannot process a record longer than 128 bytes.

START NOT FOUND

PIP. The string argument to an **S** parameter cannot be found in the source file.

SOURCE FILE NAME ERROR

ASM. When you assemble a file, you cannot use the wildcard characters * and ? in the filename. Only one file can be assembled at a time.

SOURCE FILE READ ERROR

ASM. The assembler cannot understand the information in the file containing the assembler language programme. Portions of another file might have been written over your assembly-language file, or information was not properly saved on the diskette. Use the **TYPE** command to locate the error. Assembly language files contain the letters, symbols, and numbers that appear on your keyboard. If your screen displays unrecognizable output or behaves strangely, you have found where computer instructions have crept into your file.

SYNCHRONIZATION ERROR

MOVCPM. The **MOVCPM** utility is being used with the wrong **CP/M** system.

'SYSTEM' FILE NOT ACCESSIBLE

You tried to access a file set **SYS** with the **SET** command.

**** TOO MANY FILES ****

STAT. There is not enough memory for **STAT** to sort the files specified, or more than 512 files were specified.

UNEXPECTED END OF HEX FILE – (filespec)

PIP. An end-of-file was encountered before a termination hex record. The hex file without a termination record should be corrected, probably by recreating the hex file.

Unrecognized Destination

PIP. Check command line for valid destination.

USE: STAT d:= RO

STAT. An invalid **STAT** drive command was given. The only valid drive assignment in **STAT** is **STAT d:=RO**.

VERIFY ERROR: - (filespec)

PIP. When copying with the **V** option, **PIP** found a difference when rereading the data just written and comparing it to the data in its memory buffer. Usually this indicates a failure of either the destination disc or drive.

XSUB ACTIVE

SUBMIT. XSUB Has Been Invoked.

XSUB ALREADY PRESENT

SUBMIT. XSUB is already active in memory.

Your Input?

If **CP/M** cannot find the command you specified, it returns the command name you entered, followed by a question mark. Check that you have typed the command name correctly, and that the command you requested exists as a **.COM** file on the default or specified disc.

Chapter Thirteen : CP/M BDOS Functions

NO	HEX	FUNCTION NAME	INPUT	OUTPUT
0	00H	SYS RESET	NONE	NONE
1	01H	CON INPUT	NONE	A=CHAR
2	02H	CON OUTPUT	E=CHAR	NONE
3	03H	READER INPUT	NONE	A=CHAR
4	04H	PUNCH OUTPUT	E=CHAR	NONE
5	05H	LIST OUTPUT	E=CHAR	NONE
6	06H	DIRECT CON I/O*	E=OFFH INPT OFEH STAT CHAR OUTPT	A=O OR CHAR O OR NONZERO NO VALUE
7	07H	GET I/O BYTE	NONE	A=IOBYTE
8	08H	SET I/O BYTE	E=IOBYTE	NONE
9	09H	PRINT STRING	DE=.BUFFER	NONE
10	0AH	READ CON BUF	DE=.BUFFER	CHARS IN BUF
11	0BH	GET CON STATUS	NONE	A=00/NONZERO
12	0CH	RTN VERSION #	NONE	HL=VERS **
13	0DH	RESET DISC SYS	NONE	NONE
14	0EH	SELECT DISC	E=DISC NUM	NONE
15	0FH	OPEN FILE	DE=.FCB	A=DIR CODE A=FF IF NOT FOUND
16	10H	CLOSE FILE	DE=.FCB	A=DIR CODE A=FF IF NOT FOUND
17	11H	SEARCH FOR FIRST	DE=.FCB	A=DIR CODE A=FF IF NOT FOUND
18	12H	SEARCH FOR NEXT	NONE	A=DIR CODE A=FF IF NOT FOUND
19	13H	DELETE FILE	DE=FCB	A=DIR CODE A=FF IF CODE NOT FOUND
20	14H	READ SEQ	DE=FCB	A=O IF OK A=ERR CODE
21	15H	WRITE SEQ	DE=FCB	A=O IF OK A=ERR CODE
22	16H	MAKE FILE	DE=FCB	A=DIR IF NO DIR SPACE
23	17H	RENAME FILE	DE=FCB	A=DIR CODE A=FF IF NOT FOUND
24	18H	RTN LOGIN VECT	NONE	HL=LOGIN VECT **
25	19H	RTN CUR DISC	NONE	A=CUR DISC #
26	1AH	SET DMA ADDR	DE=DMA	NONE
27	1BH	GET ADDR (ALLOC)	NONE	HL=.ALLOC
28	1CH	WRITE PROT DISC	NONE	NONE
29	1DH	GET R/O VECT	NONE	HL=R/O VECT **
30	1EH	SET FILE ATTRIB	DE=FCB	NONE
31	1FH	GET ADDR (DISC PARM)	NONE	HL=.DPB
32	20H	SET/GET USR CODE	E=OFFH GET E=O-OFFH SET	USER #
33	21H	READ RAN	DE=FCB	A=ERR CODE

34	22H	WRITE RAN	DE=FCB	A=ERR CODE
35	23H	COMPUTE FILE SIZE	DE=FCB	RO,R1,R2
36	24H	SET RAN REC	DE=FCB	RO,R1,R2
37	25H	RESET DRIVE ***	DE=DRV VECT	A=0
40	28H	WRITE RAN W/FILL	DE=FCB	A=ERR CODE

* NOTE THAT FUNCTION 6 MUST BE USED WITH FUNCTIONS, 1,2,9 OR 11.

** NOTE THAT A=11, AND B=H UPON RETURN.

*** DEFAULT DRIVE CANNOT BE RESET.

THE PRECEEDING TABLE USED THESE ABBREVIATIONS:-

ADDR = ADDRESS

ALLO = ALLOCATION

ATTRIB = ATTRIBUTE

BUF = BUFFER

CHAR = ASCII CHARACTER

CON = CONSOLE

CUR = CURRENT

DIR = DIRECTORY

DSK = DISC

ERR = ERROR

PARM = PARAMETER

PROT = PROTECT

RAN = RANDOM

REC = RECORD

RTN = RETURN

SEQ = SEQUENTIAL

STAT = STATUS

SYS = SYSTEM

USR = USER

VECT = VECTOR

VERS = VERSION

Chapter Fourteen : Commands at a Glance

Keyboard Control Keys:

CONTROL + C	Warm boot CP/M
E	Continue on next line
H	Delete character
P	Printer on/off
R	Retype line
U	Delete line
X	Delete line and backup
BACKSPACE	Delete character
DELETE or RUBOUT	Delete and echo character

Built-in Commands:

DIR name.typ	Directory of disc
ERA name.typ	Erase file
TYPE name.typ	Type file on console
REN new.type=old.typ	Rename a file
USER n	User number set
SAVE b name.typ	Save a file

MTX Special CP/M Commands:

Startup	Initialises a startup command string
Coldboot	Generates a cold start
Baud	Sets RS232 baud rate
Rcheck	Read checks drive
Config	Configures CP/M for disc drive variations
Enter	Used inside submit or batch files
Eraq	Erase with query

Standard Utility Programs:

FORMAT	Prepare a new disc
MOVCPM	Adapt CP/M to memory size
PIP	Peripheral Interchange Program
STAT	Display and set system status
SYSCOPY	System generator to copy CP/M

Programmer utilities:

ASM	Assembler
DUMP	Dump HEX code
DDT	Debugger
ED	Editor
LOAD	Load HEX file
SUBMIT	Submit work
XSUB	Extend SUBMIT
SUB	Modified SUBMIT

Copying a program with PIP:

PIP d:destination=d:source1,d:source2(options)

PIP Options:

B	Block mode	Pn	Page eject add
Dn	Delete characters	Qx Z	Quit copying
E	Echo on terminal	R	Read system file
F	Form-feed remove	Sx Z	Start copying
Gn	Get from user	Tn	Tab set
H	Hex transfer	U	Uppercase only
I	Ignore end record	V	Verify data
L	Lowercase only	W	Write over R/O
N	Number lines	Z	Zero parity bit
O	Object file		

PIP Standard Devices:

CON:	Console
LST:	List
RDR:	Reader
PUN:	Punch
INP:	Input
OUT:	Output

PIP Special Devices:

EOF:	End of file
NUL:	Null
PRN:	Print

Displaying STATus:

STAT d:	Remaining disc space on drive d:
STAT DEV:	Present device assignments
STAT d:DSK:	Display disc parameters for drive d:
STAT NAME.TYP	Display file space
STAT VAL:	Available commands
STAT USR:	Active users

Setting STATus:

STAT NAME.TYP \$R/O	Set file to Read Only
\$R/W	Set file to Read or Write
\$SYS	Set file for system use
\$DIR	Set file for directory use
STAT d:R/O	Set disc to Read Only until warm boot

INDEX

	Page		
ASM – Assembler	9.1	PIP to copy between peripherals	7.7
BATCH	8.3	Prompt	3.1
BAUD	8.3	RCHECK	8.3
Back-ups	3.2 7.1	REN	4.1
Bad sectors	12.1	Remaining disc space	7.16
Bdos errors	12.1	Renaming a file	4.5
Bootstrap prom	8.1	Running programs	5.1
COLDBOOT	8.3	SAVE	4.1
CONFIG	8.1	SIDISC	8.4
CP/M 2.2 Special features	8.1	SISPOOL	8.4
CP/M Bdos Functions	13.1	STARTUP	8.3
CP/M messages	12.1	STAT	7.16
CP/M system size	7.23	SUB – Modified SUBMIT	9.5
CP/M – what is it?	1.1	SUBMIT – Automatic operation	9.3
CPMGEN	7.23	SYSCOPY (Copying CP/M)	7.4
Changing discs and drives	6.1	Saving data in memory	4.7
Changing user areas	4.6	Setting disc and file status	7.18
Checking system status	7.16	Setting up the hardware	2.1
Command summary	14.1	System commands	4.1
Control characters	10.1	TYPE	4.1
Control key	3.2	Typing a file	4.5
Copy your system disc	3.3	USER	4.1
Cursor	3.1	Utilities	9.1
DDT – Dynamic debugging tool	9.2	Utility programs	7.1
DIR	4.1	WRTBIOS	7.23
DISC READ/WRITE ERRORS	12.3	WRTCPM	7.22
DUMP – Display file	9.3	Write protect notch	3.2
Disc configure codes	8.2	XSUB	9.4
Disc drives	3.1		
Disc read-check (RCHECK)	8.3		
Disc operating system (DOS)	1.1		
ED – Editor	9.1		
EDITOR	5.1		
ENTER	8.3		
ERA	4.1		
ERAQ	8.4		
Erasing a file from disc	4.4		
FORMAT	7.2		
File size	7.16		
Filetypes in CP/M	11.1		
Finding groups of files	4.2		
Floppy discs	1.1 3.2		
LOAD – Loader	9.2		
Logical and physical drives	8.2		
Looking at filenames	4.1		
MOVCPM	7.22		
PIP	7.5		
PIP options	7.9		
PIP special uses	7.13		

This file was downloaded from

www.primrosebank.net

Abridged Terms & Conditions (Downloads)

Disclaimer

www.primrosebank.net, (*the website*) is provided by Dave Stevenson as a service to the public, is provided "as is" and carries no warranties, expressed or implied, of any kind.

Dave Stevenson is not responsible for, and expressly disclaims all liability for, damages of any kind arising out of use, reference to, or reliance on any information contained within the website or made available for download. Whilst the information contained within the website site is periodically updated, no guarantee is given that the information provided on the website is correct, complete, and up-to-date.

A number of articles on the website contain technical data and practical guidance which may be of use in testing and maintaining various items of vintage computer and electronics hardware. Such articles are not intended to cover all aspects of the tasks involved and may omit essential information, including necessary safety precautions. Performance of the tasks described may risk damage to equipment and/or people. The reader is responsible for ensuring that he/she is capable of performing the tasks described and well as assessing the inherent risks involved and taking appropriate measures to mitigate such risks.

Dave Stevenson expressly disclaims all liability for, damages to equipment or injury of any kind arising out of use of such technical data and guidance.

Unless otherwise noted, all data on the website is deemed to be *Copyright (c) Dave Stevenson, 2009-2013*

You are hereby granted permission to download data and software from the website *for your own personal use. Redistribution of any content from the website without written authorisation from Dave Stevenson is expressly forbidden. You are also expressly forbidden from offering for sale any material obtained from the website.*

As far as possible, information included on the website from other sources has been credited to the respective author and/or publisher. The majority of content on the website is derived from material first published in the 1980s. *This material is likely still under copyright of the original author and/or publishers.* The authors and/or publishers may not have given express permission to copy, transmit or make this information available for download, but I believe that they would have no objection to this archive information being placed into the public domain.

However, should the author and/or publisher of the original material find any content on the website for which they wish to assert their rights, they should notify Dave Stevenson (by e-mail to: webmaster@primrosebank.net) who would be pleased to enter into a dialogue to agree a satisfactory resolution of their concerns.

If you obtained this file as part of a paid-for package, you have been scammed! I suggest that you request a refund from the seller, please also advise Dave Stevenson at the e-mail address above.